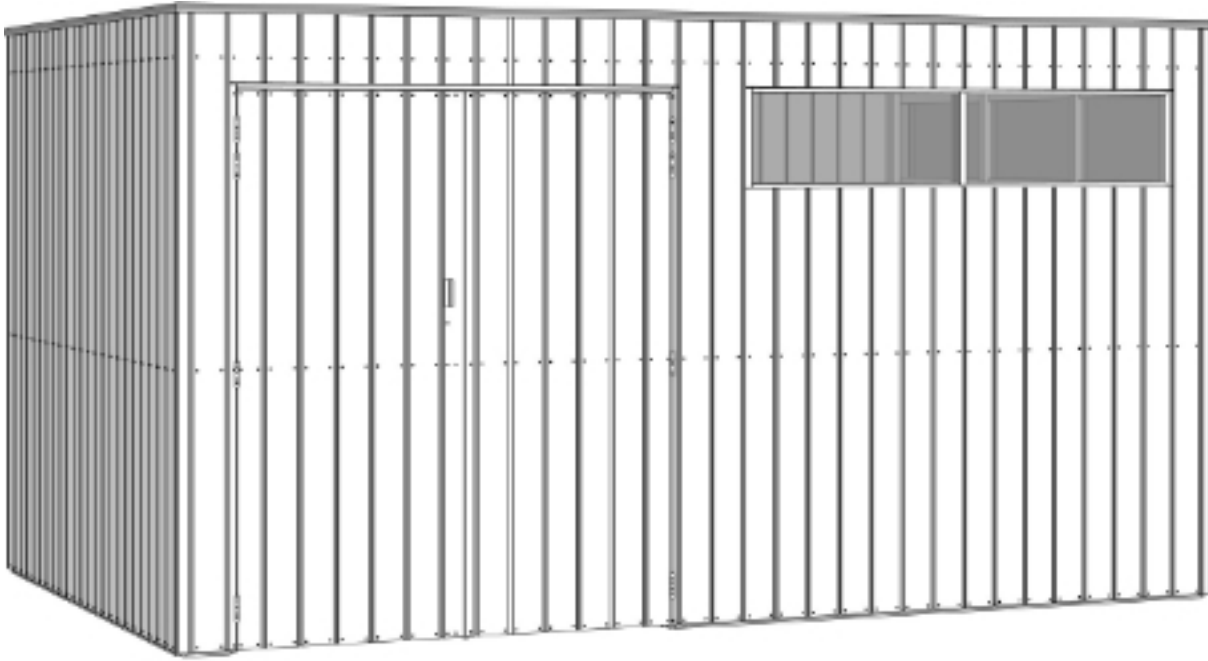


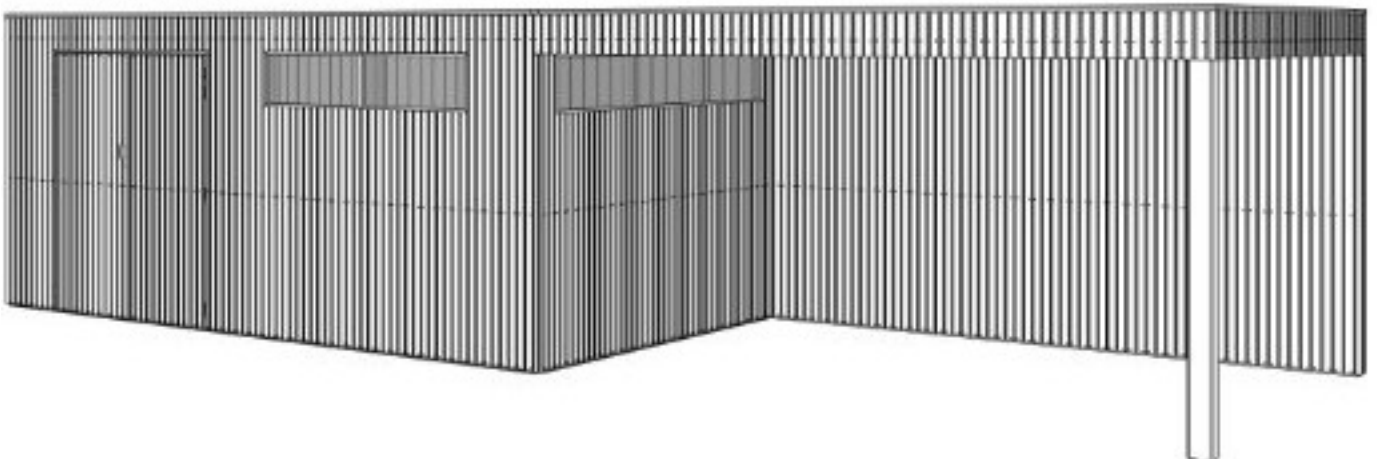
ASSEMBLY INSTRUCTIONS FOR INSTALLING THE VERTICAL WALL
PLANKS AND ROOF OF A QBV 4x3 AND 5x3 GARDEN SHED



Phases 2 and 3



WOODLANDS
QUALITY CABINS



ASSEMBLY INSTRUCTIONS QBV

Congratulations on the purchase of your garden shed.

If you read the assembly instructions carefully, you will enjoy your purchase for many years to come.

Tips and advice

Before you start assembly, we would like to give you some important information that deserves your attention.

A You have purchased a garden shed made from an untreated natural product. This type of wood still needs to be treated to ensure a long lifespan. It is best to seek advice from a specialist when choosing a treatment product and for the maintenance of your garden shed. Use only products that penetrate the wood and protect it against moisture, wind and weather, as well as against insects and fungi. Do not use products that are so viscous that they prevent a good fit between tongue and groove and at the corner joints. You only have the opportunity to treat the tongue and groove **before** assembly. It is very important **to treat** all parts **on all sides**. You must therefore also treat **the inside of** the garden shed.

B **FOUNDATION** It is advisable to install a waterproof concrete base. It is of the utmost importance that your shed is level and remains so. Bear in mind that if your structure is not kept level properly after installation, this may result in gaps and deformations in the shed, amongst other issues. Ensure that ground moisture and other moisture cannot penetrate the wood by providing adequate ventilation for the shed and treating **the interior** against moisture. Seal the joint between the shed and its base with silicone (not supplied). Anchor all walls to the base to protect against stormy weather.

C **UNPACKING** Unpack the parts of your shed from the packaging two days before assembly, but keep them sheltered from the rain. This allows the wood to acclimatise to the humidity. Now carry out a full check using the enclosed parts list. Complaints regarding materials will not be accepted if the parts have been painted.

D Wood is a natural product. This means that slight variations may occur. What are **acceptable** variations?

- Knots,
- Fallen knots no larger than a thumb,
- Fallen knots or slight damage to the edges (tongue and groove) provided that coverage is ensured during assembly
- Discolouration in the wood,
- Straight cracks that do not split the plank, splitting cracks no longer than 12 cm,
- Resin pockets of max. 5 cm,
- Wood that is slightly bowed, if assembly remains possible.

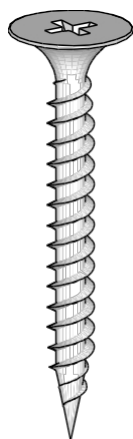
E Make sure to **anchor** your shed to its base (plugs not included).

F To prevent splitting, we recommend pre-drilling with a drill bit smaller in diameter than the screw when screwing.

G Has a part of the structure been damaged, or are you having trouble figuring it out? Our after-sales service is at your disposal:

- during office hours by telephone: +32 (0)52 21 95 71
- by fax: +32 (0)52 22 09 03 or
- by email sav@gardenas.be
- If you notice any damage to the parcel, please let us know within 48 hours.

Once you have checked the parts against the accompanying parts list, you can start assembling. What do you need? A saw, a try-square, a piece of auxiliary wood, a screwdriver (preferably battery-powered or electric), 2 ladders, a rubber mallet, a drill, silicone, a stapler (for the pressure-impregnated version), 5 metres of masonry string. At least 2 adults are required for the assembly. Keep children and pets away during assembly.



Screw = Pre-drill! To prevent the wood from splitting whilst screwing, you must always pre-drill with a drill bit of the same diameter as the screw core.

Treatment



TREATMENT. You have purchased a garden shed made from an untreated natural product. This type of wood still needs to be treated to ensure a long service life. We strongly recommend using Woodlands Protective Shield, developed specifically for this product and available from your Woodlands dealer. In any case, only use products that penetrate the wood and protect it against moisture, wind and weather, as well as against insects and fungi. Do not use products that are so viscous that they prevent the tongue and groove joints and corner joints from fitting together properly. You only have the opportunity to treat the tongue and groove **before** assembly. It is very important to **treat** all parts **on all sides**. You must therefore also treat **the inside of** the garden shed if it has not been pressure-impregnated by us.

Explanation of the assembly process

The assembly of this garden shed takes place in 3 phases.

Phase 1: assembly of the shed frame and any extensions.

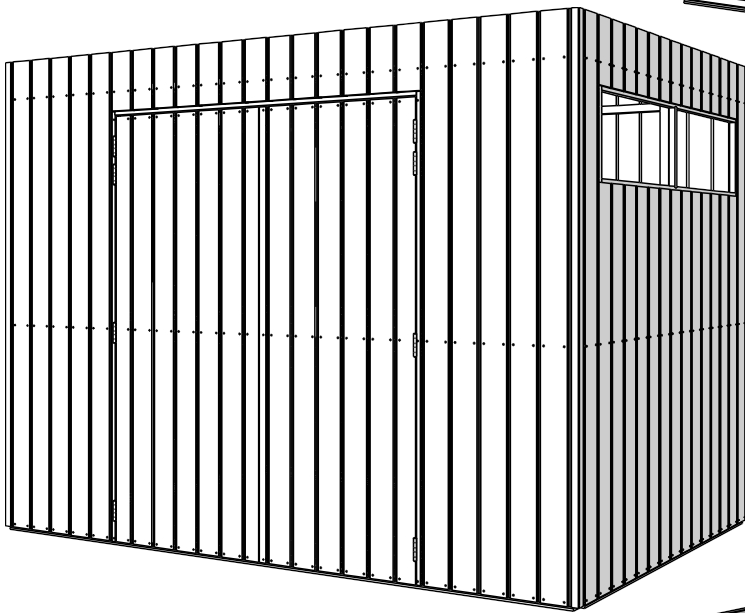
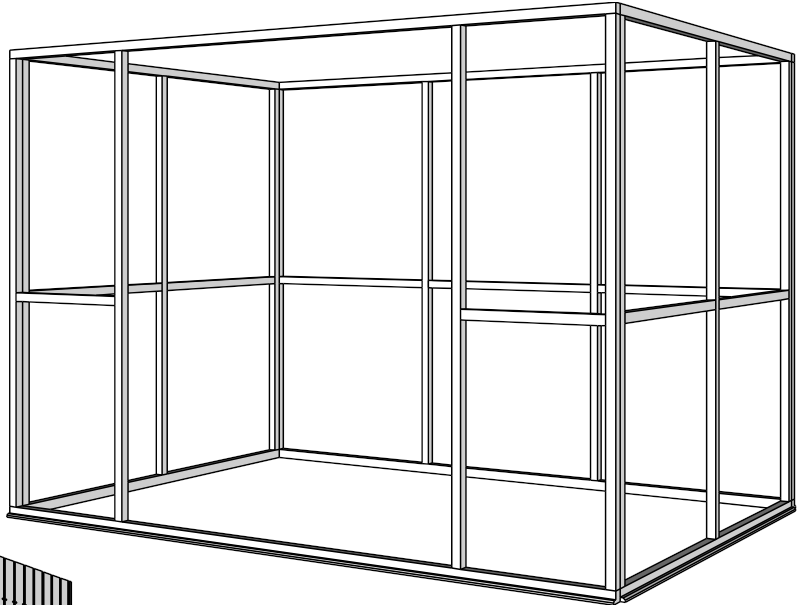
The frames are assembled wall by wall and screwed together.

Phase 2: installing the vertical wall planks to the frame.

Phase 3: installing the roof and finishing of the door and window, if present.

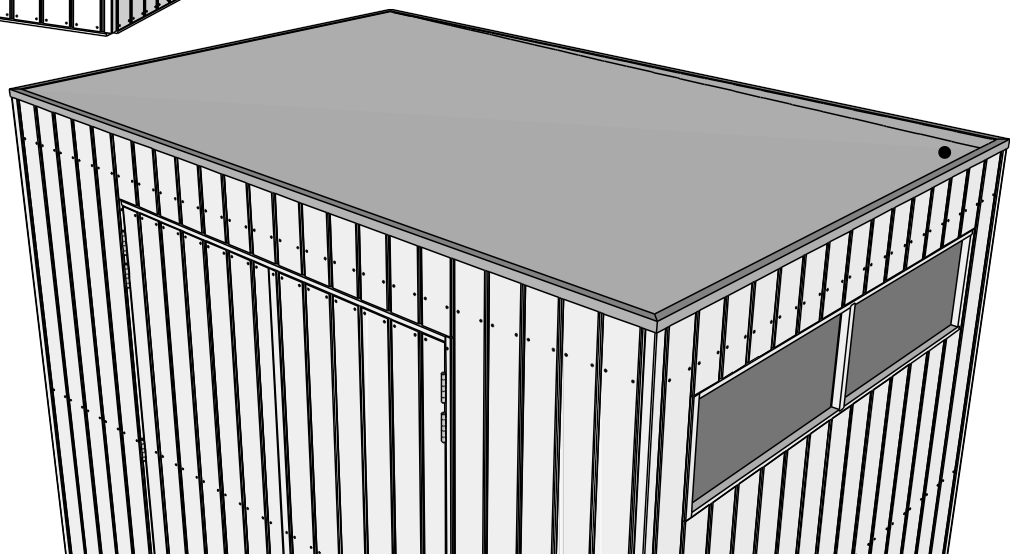
Phase 1

Use the parts from the 8X13FR
or 8X14FR kit for this



Phase 2

Use the parts from the 8x13
or 8x14 kit for this

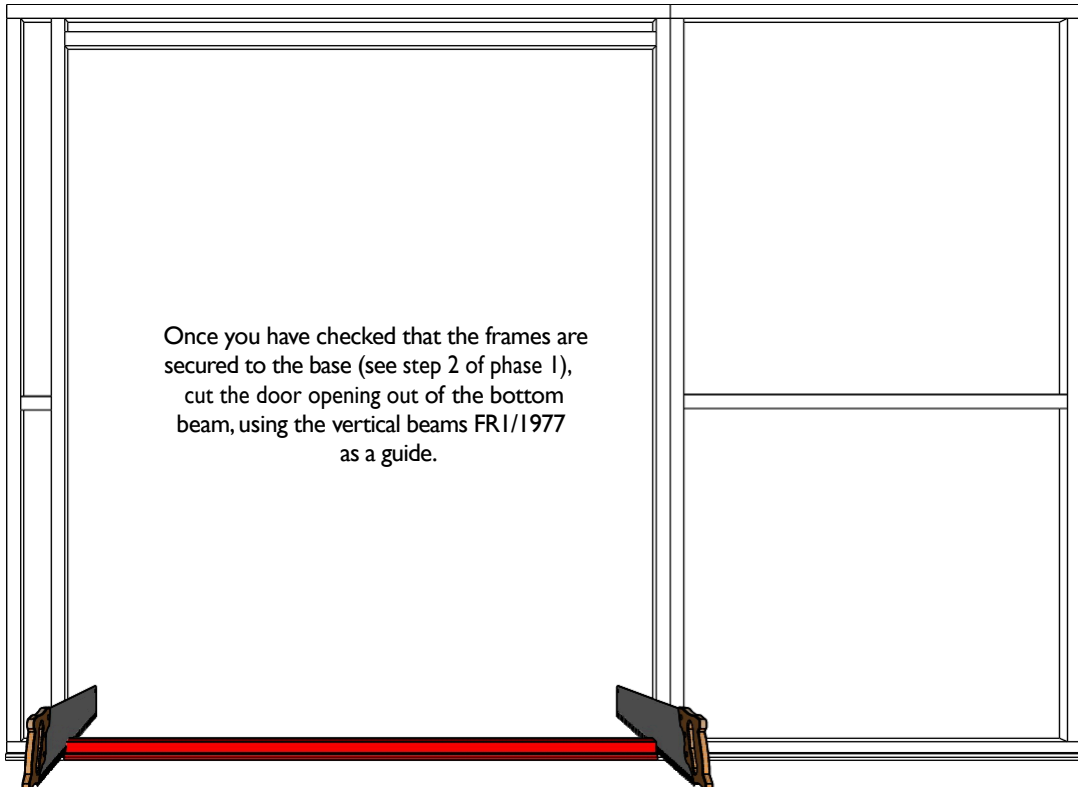


Phase 3

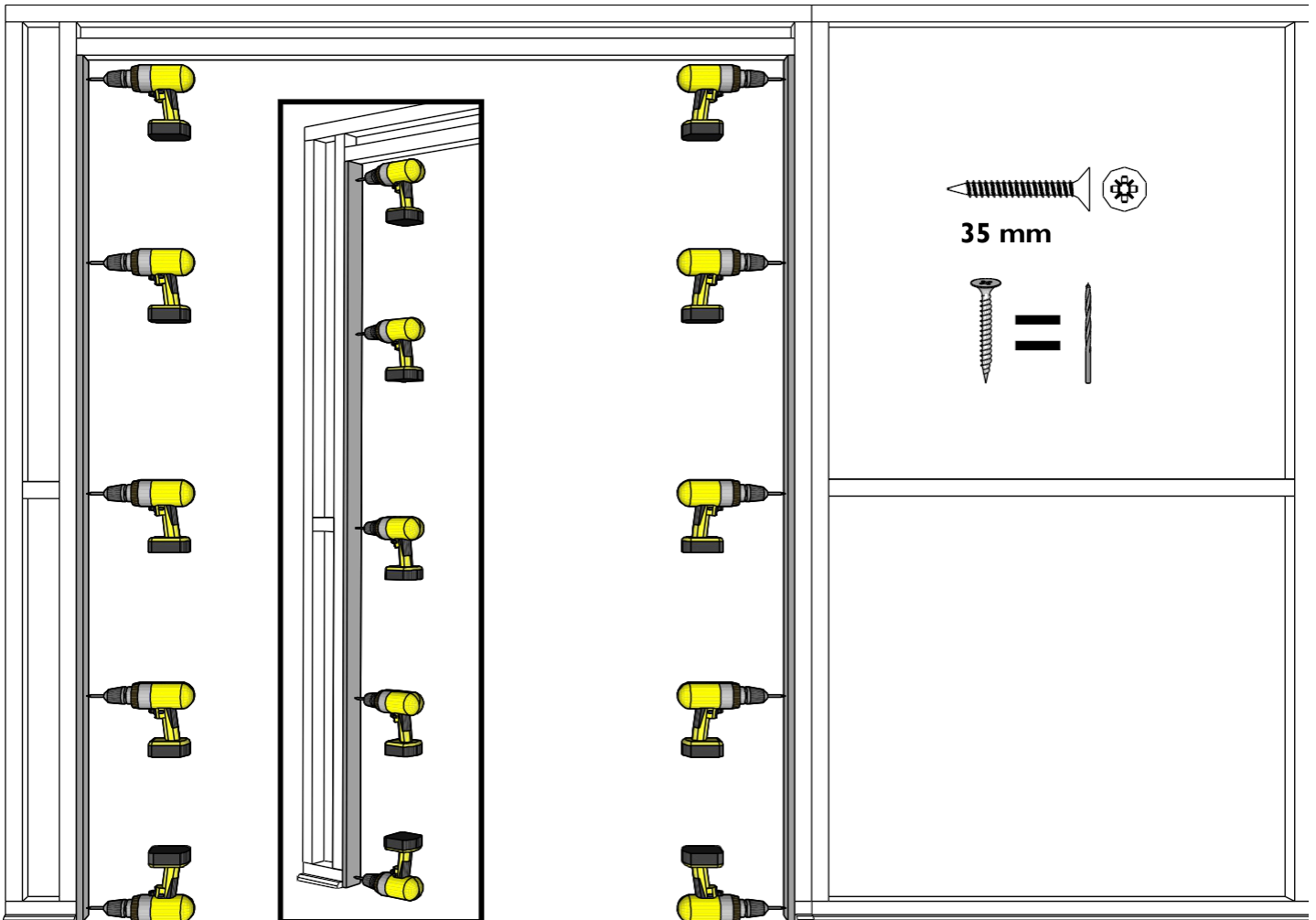
Use the remaining parts from
the 8X13FR or 8X14FR kit

Phase 2

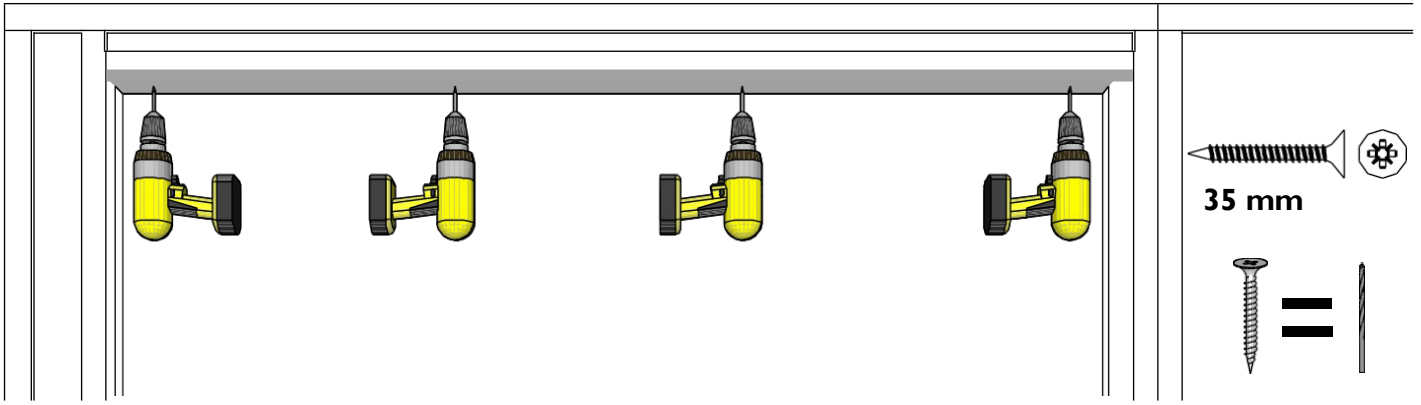
1. Preparing the door opening



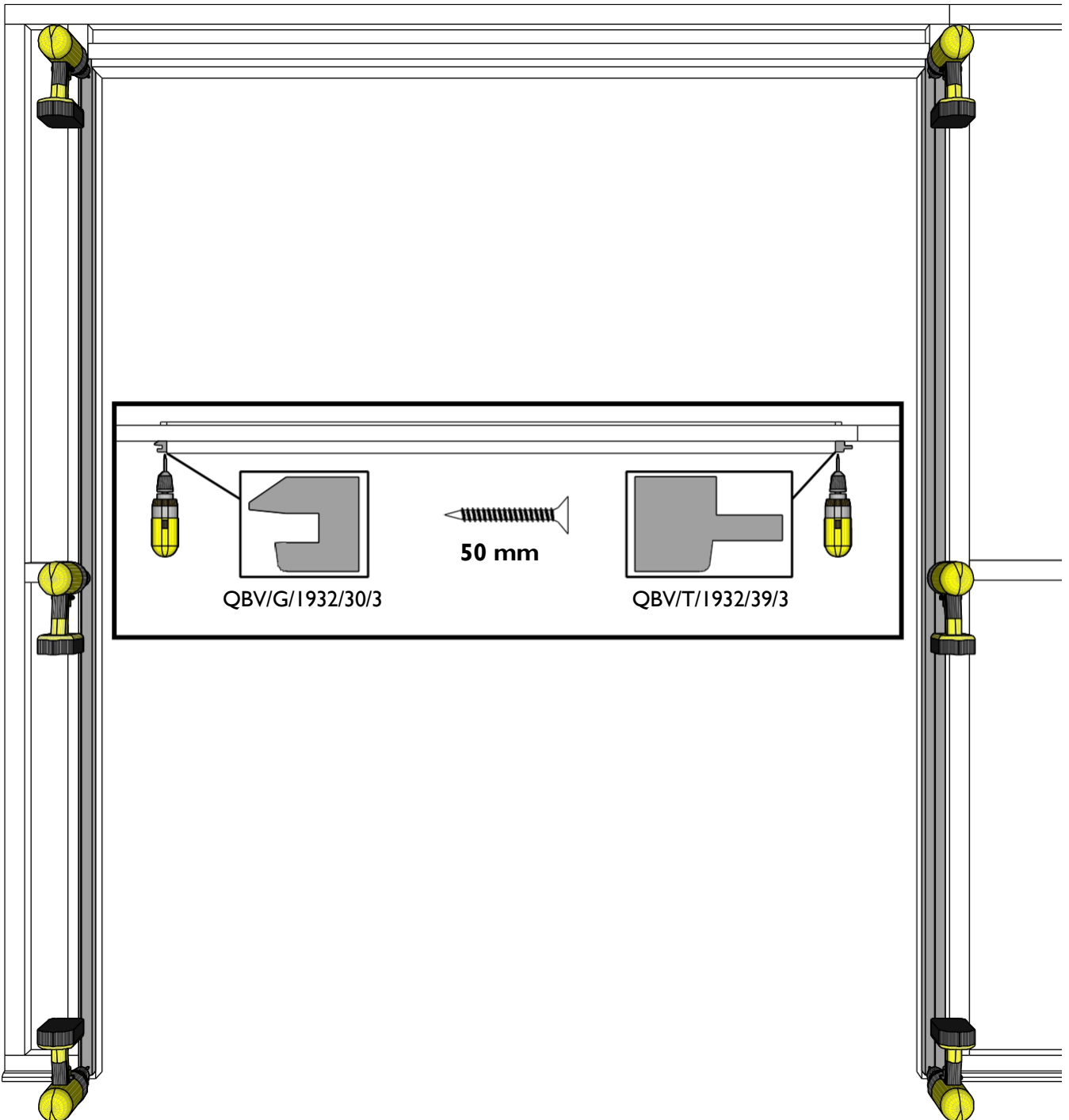
2. Place the vertical door battens in the door opening at the **front, flush** with the vertical part of the frame.



3. Place the horizontal door batten in the door opening at the **rear, flush** with the rear of the vertical door battens. The batten protrudes 29 mm at the front.

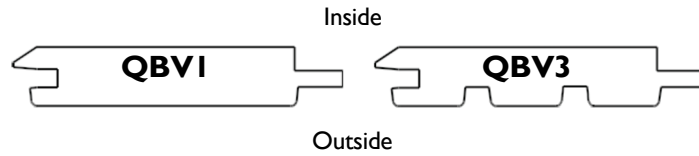


4. Place the QBV/G/1932/30/3 and QBV/T/1932/39/3 battens to the left and right of the door opening, with the flat side flush with the vertical door battens. The planks have a punched mark indicating where the screw should be placed.

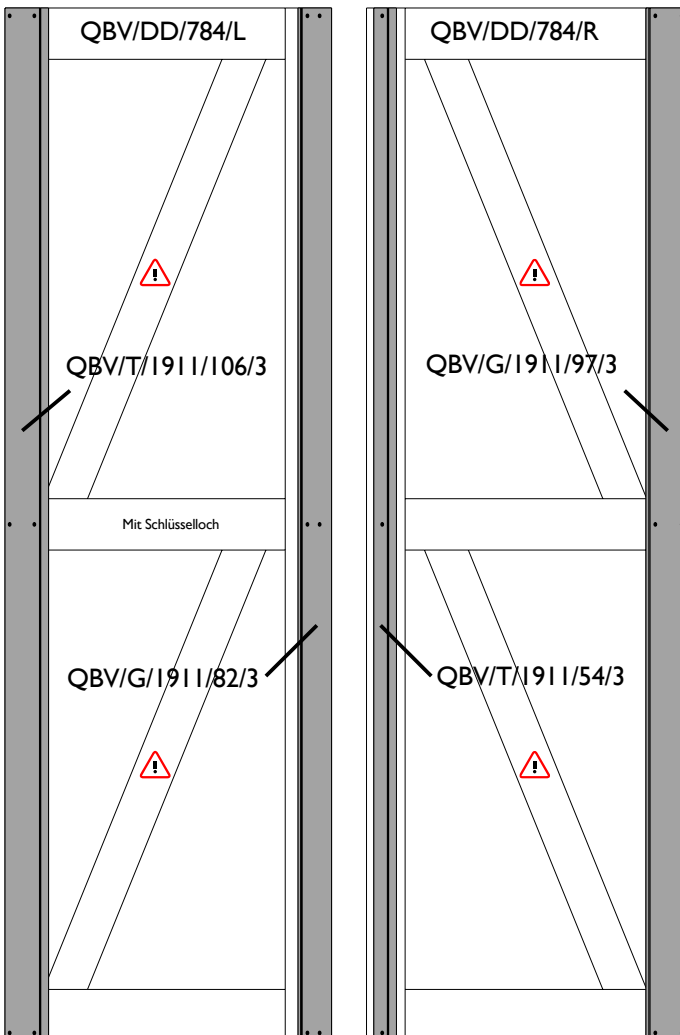
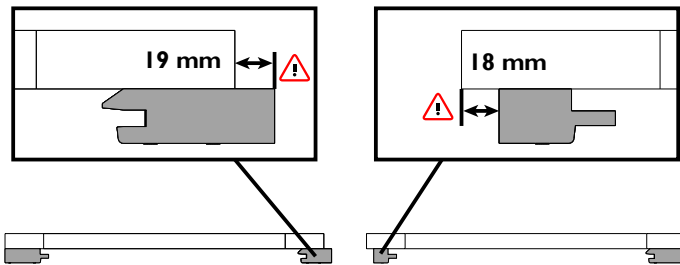


5. Installing the cladding on the door leaves

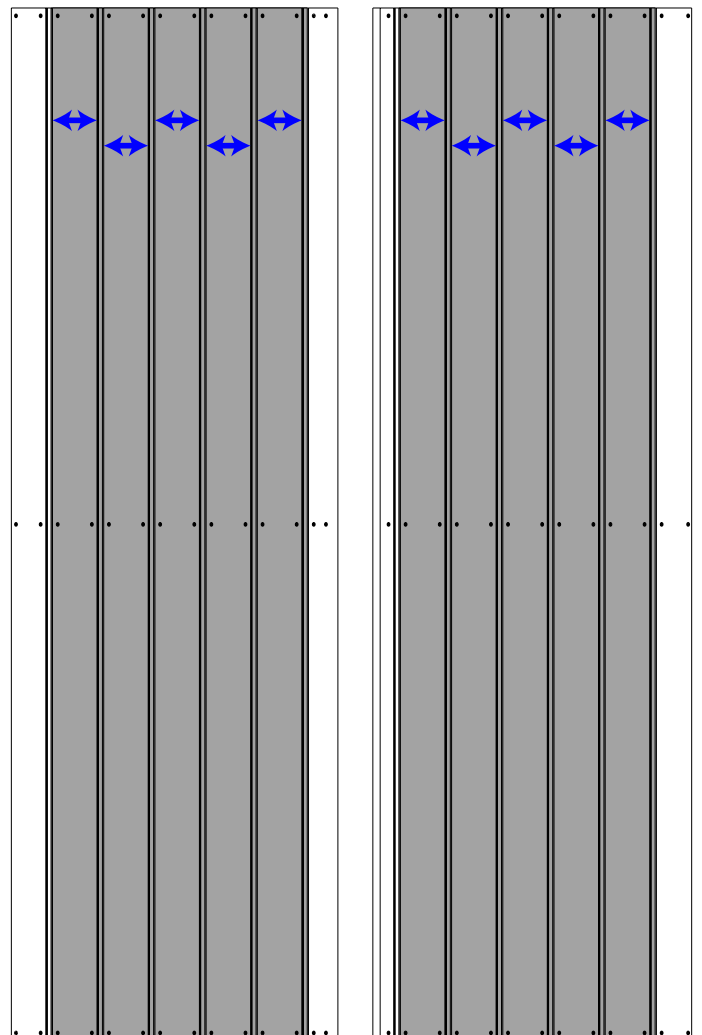
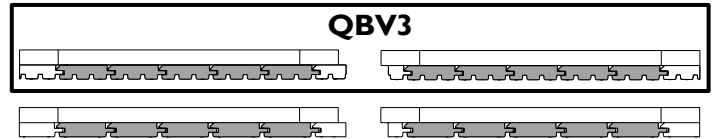
The drawings show a model with QBV1 cladding, without additional grooves in the plank. If you have purchased a model with QBV3 cladding, which has 2 additional grooves, mount the planks with the additional grooves facing outwards.



- a. Attach the two outer planks to the door leaf; study the drawing carefully and ensure that the leaves are oriented correctly. Note the position of the right plank on the left leaf and the left plank on the right leaf. The planks have a punched mark indicating where the screw should be placed.

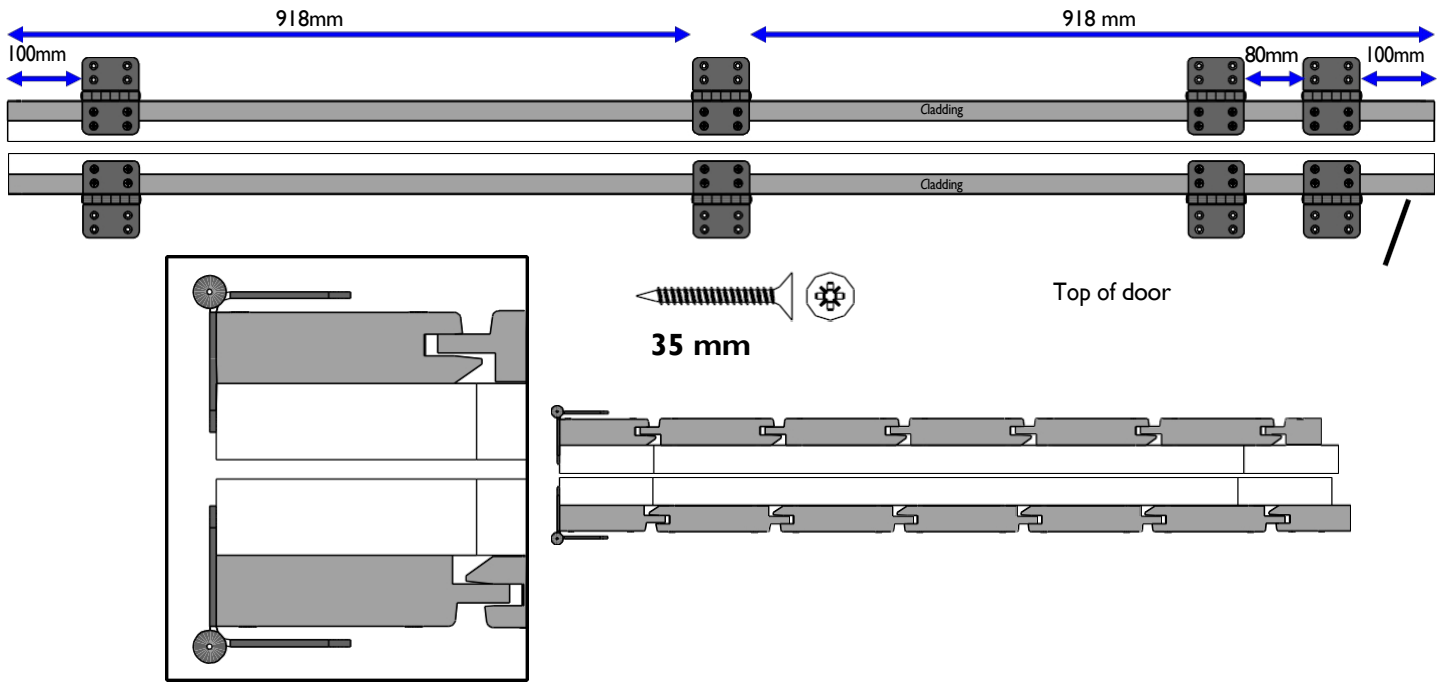


- b. Now install the QBV/TG/1911/3 intermediate planks between the 2 outer planks and distribute evenly.



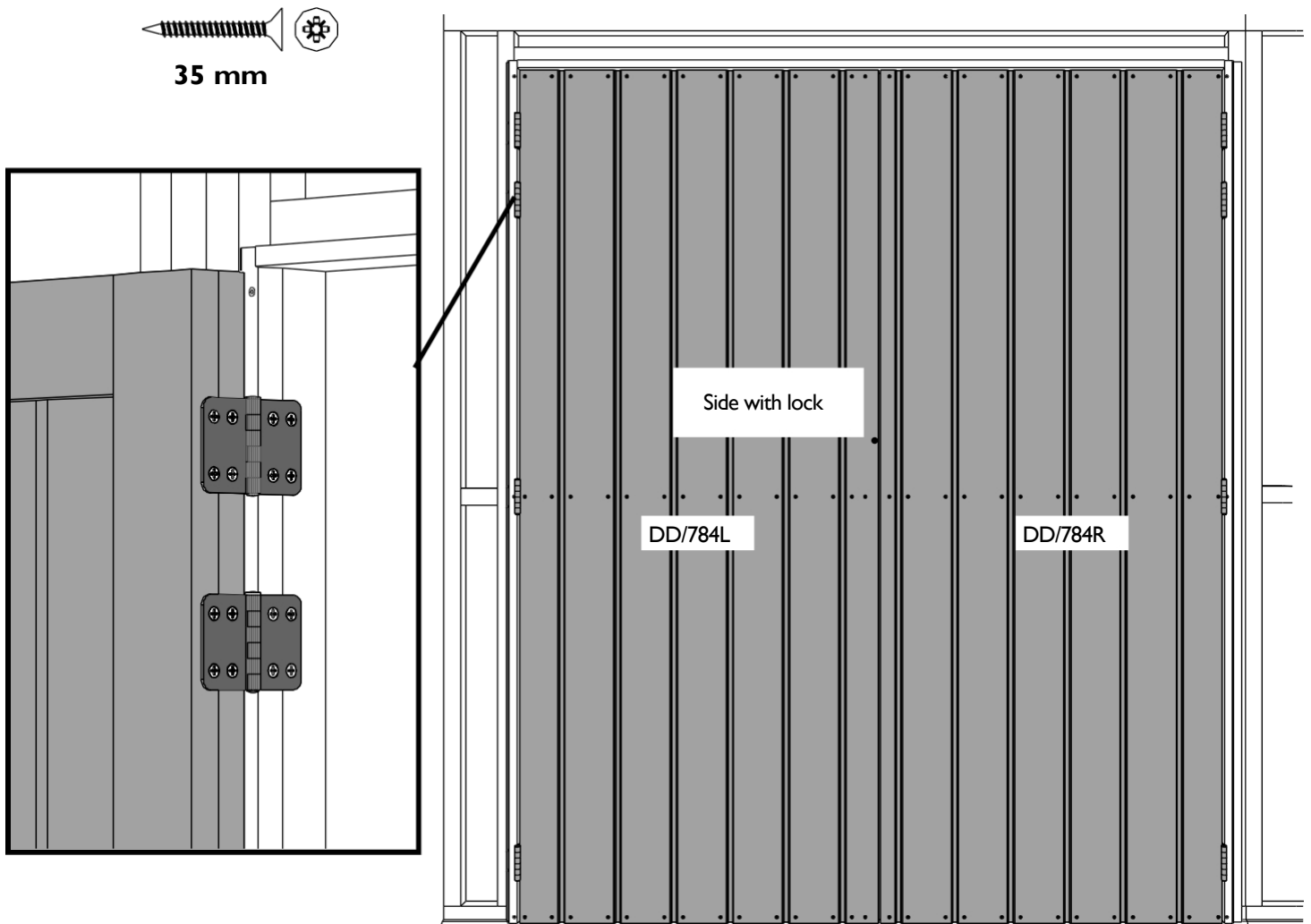
6. Fitting the hinges

Fit the hinges according to the diagram below.
The door with the lock is on the left



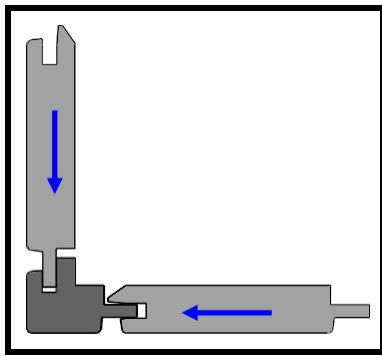
7. Fitting the doors

Place the doors in the door opening.
The doors should be 15 mm above the floor.
Use the nose of the sawn-off threshold as a support whilst fixing the hinges to the vertical door battens.

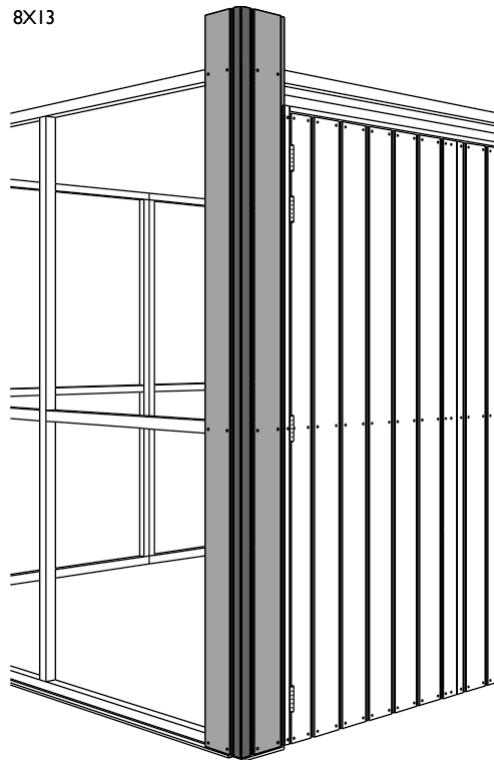


8. Fitting the corner profile

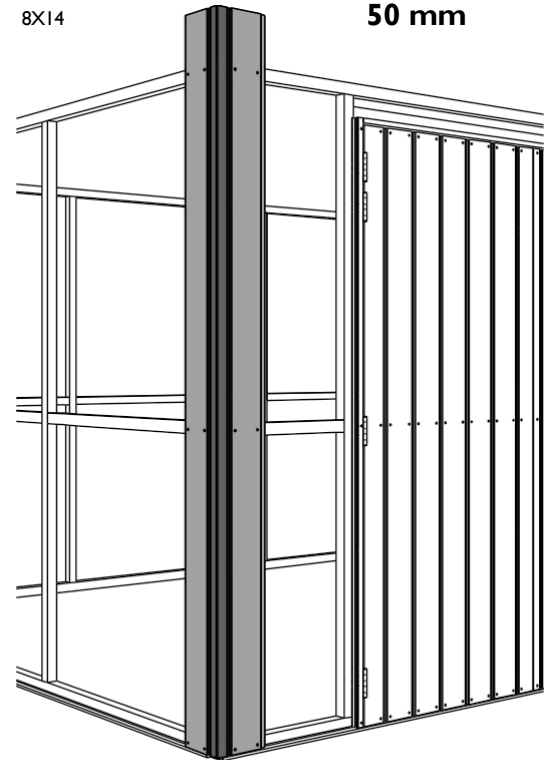
Create a corner by fitting 2 QBV/TG/2200/3 planks into an HPQBV1/2200 corner profile.
Place this assembly on the left front corner of the garden shed. Pay attention to the direction of the tongue and groove.
The planks have a punched mark indicating where the screw should be placed.



8X13



8X14



50 mm

Did you purchase an extension and have
You placed it on the left side, go straight
to step 8b.

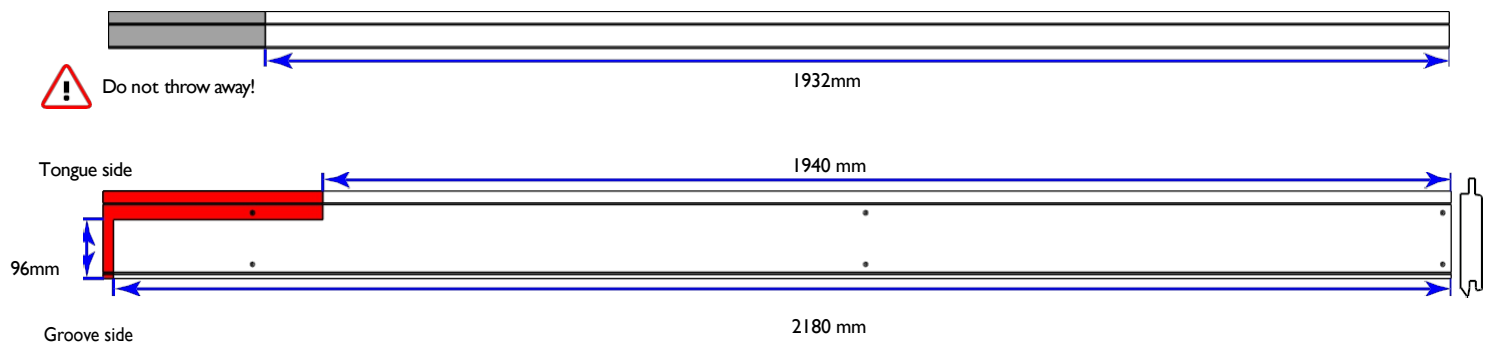
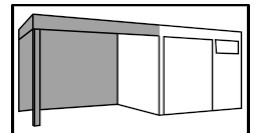


SEE also step 8c.

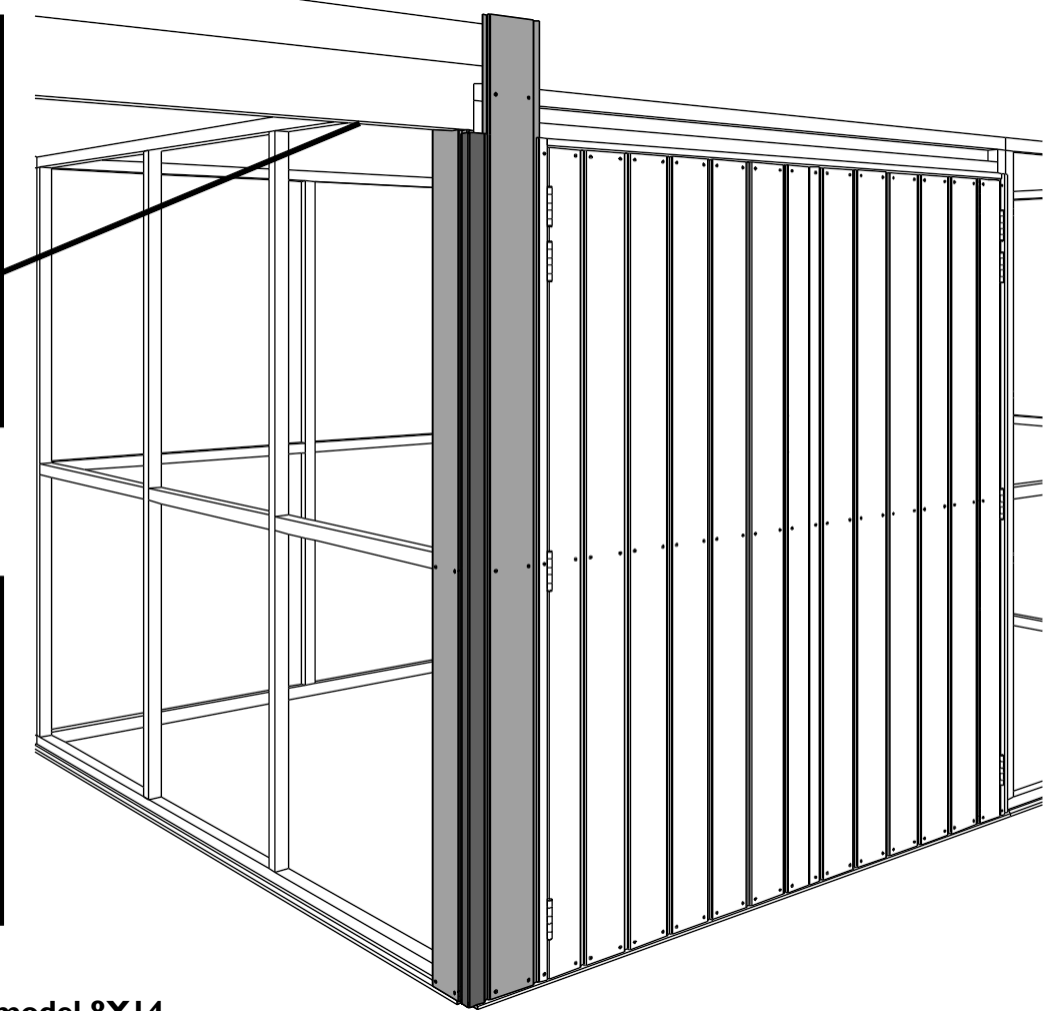
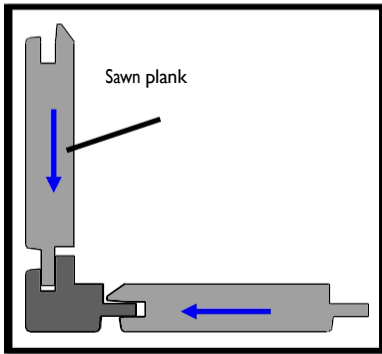
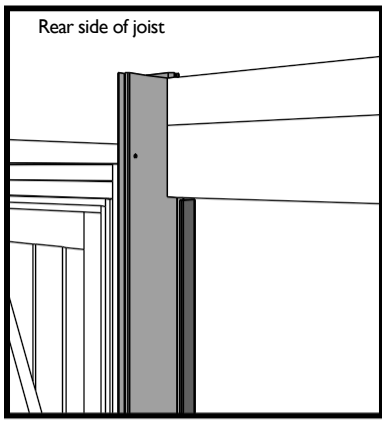
Installing the corner profile for an extension on the left side

8b.

Cut 1 corner profile HPQBV1/2200 to a length of 1932. Please note, you will still need the short piece!
Cut the coloured piece from a plank QBV/TG/2200/3 – pay attention to the direction of the tongue!

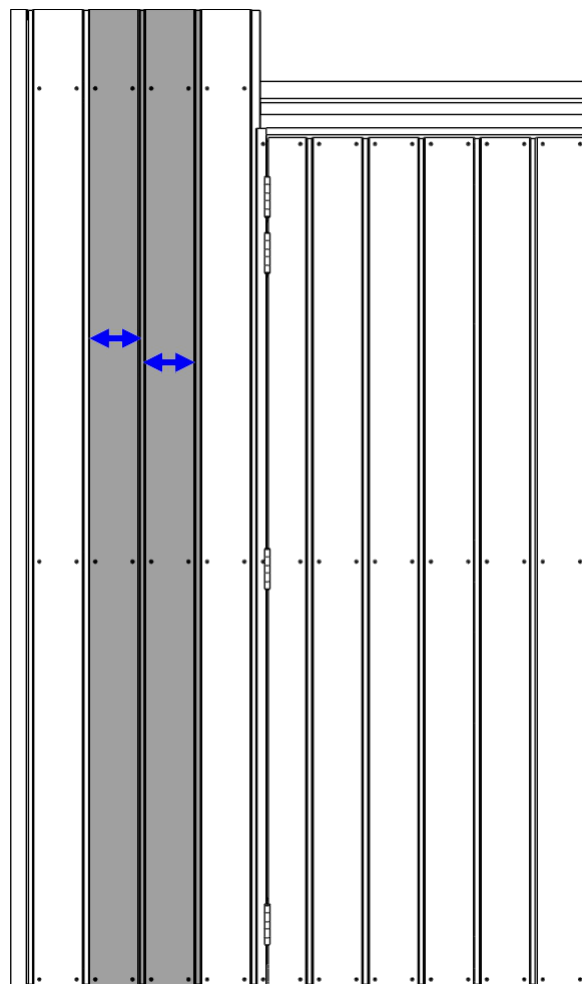
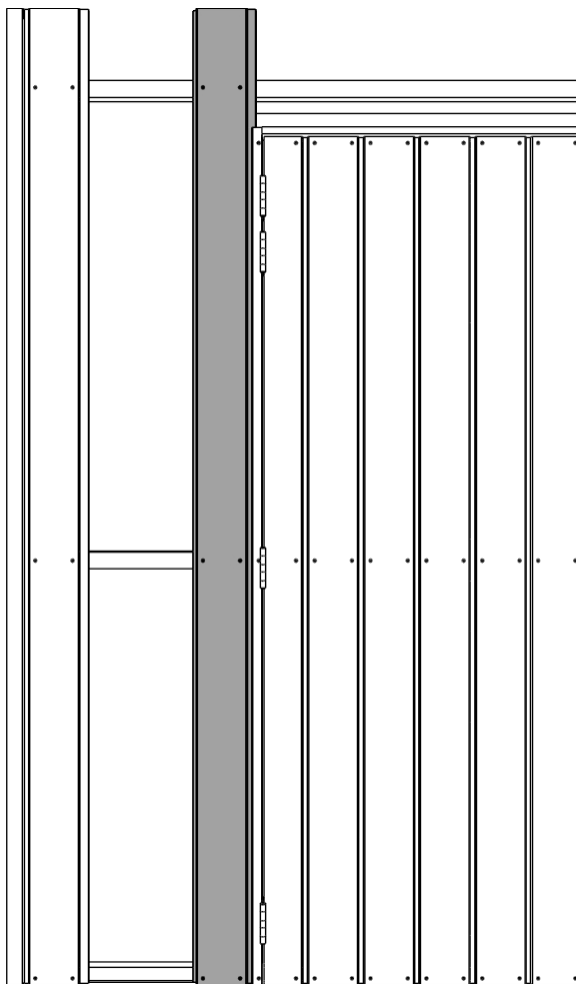


Create a corner by installing the sawn plank QBV/TG/2200/3 and an unsawn plank into the shortened corner profile HPQBV1/2200.
Position this assembly on the left front corner of the garden shed. Pay attention to the direction of the tongue and groove.
The planks have a punched mark indicating where the screw should be placed.



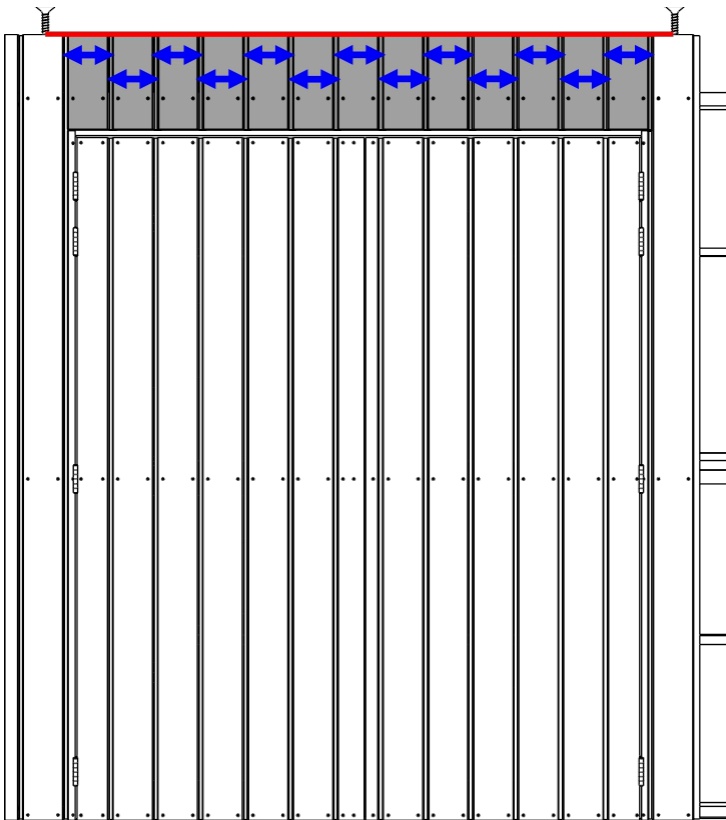
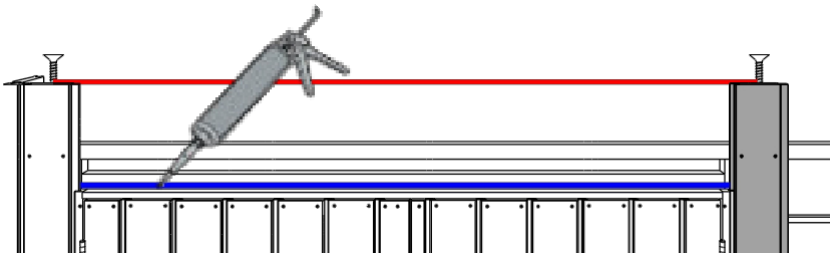
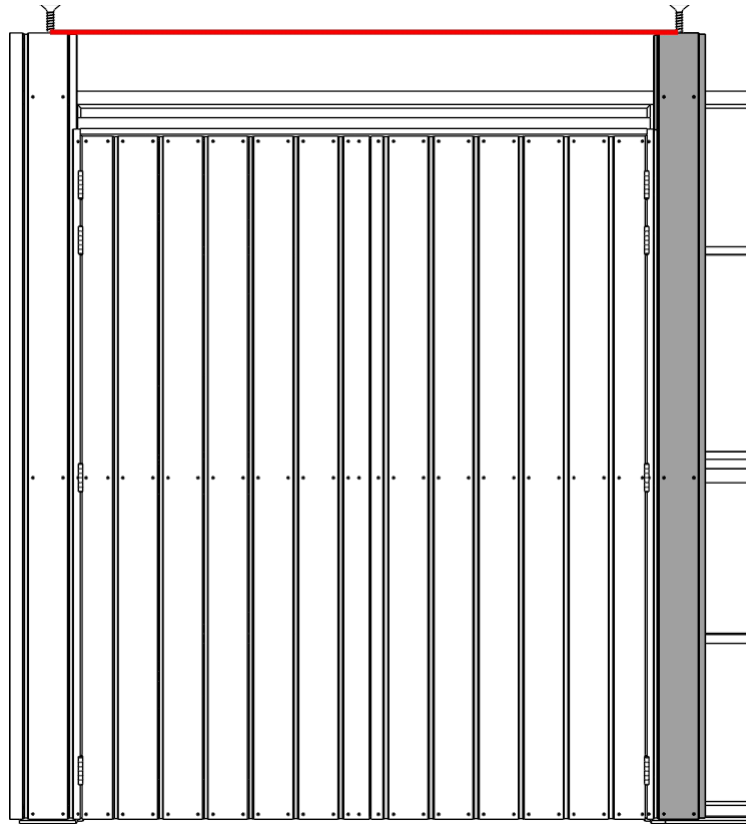
8C. Fitting the cladding for model 8X14

FOR model 8X14 ONLY: place a plank to the left of the door opening, fill in with the remaining planks and distribute them evenly.



9. Fitting the panelling above the door

Secure a QBV/TG/2200/3 plank to the right of the door. Then attach a tightly taut string from the left to the right plank, aligned with the top of the planks.



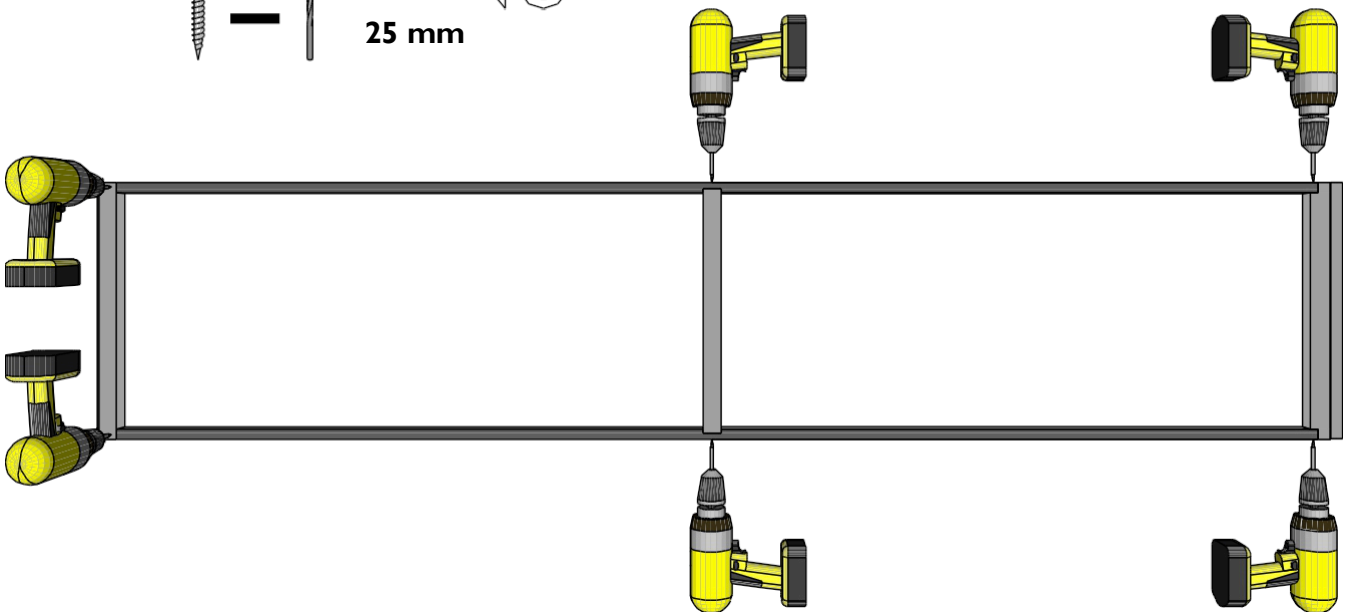
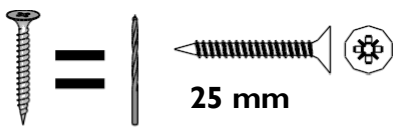
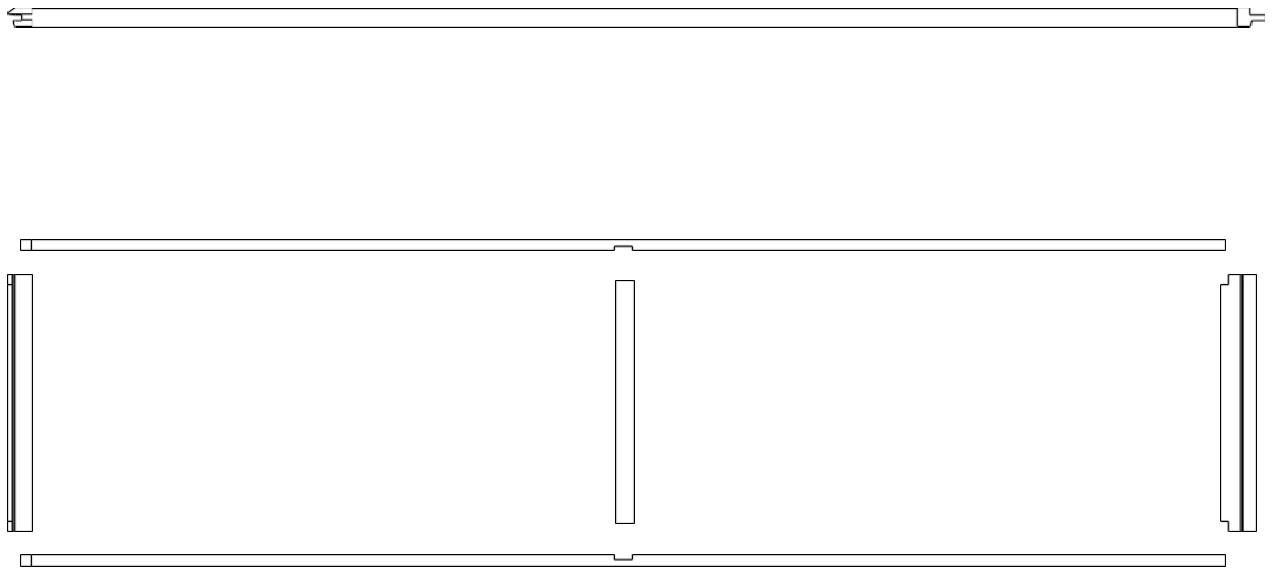
Apply a thick bead of silicone above the door opening. Secure the QBV/TG/0265/1 planks above the door WITH the top of the planks against the taut string; the planks should NOT rest on the horizontal door frame. Use the alignment of the door planks to distribute them evenly across the opening. Remove the string.



50 mm

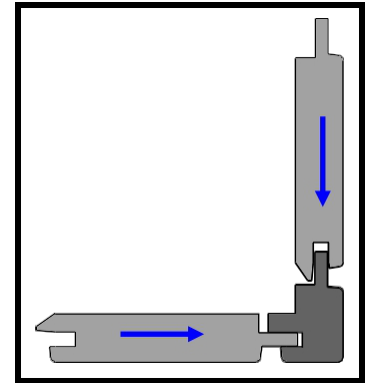
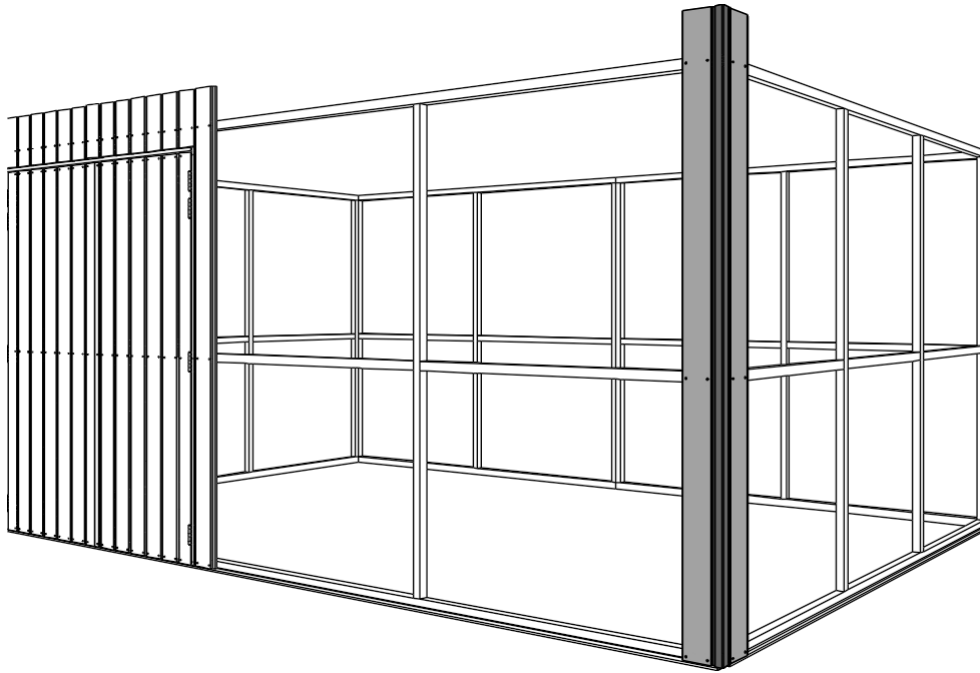
10. Assembling the window frame

Assemble the double window QBV/VR2L as shown in the drawings. Do not forget to pre-drill!



11. Fitting the cladding to the right of the door

Create another corner by fitting two QBV/TG/2200/3 planks into an HPQBV1/2200 corner profile.
Place this assembly on the right front corner of the garden shed. Pay attention to the direction of the tongue and groove.



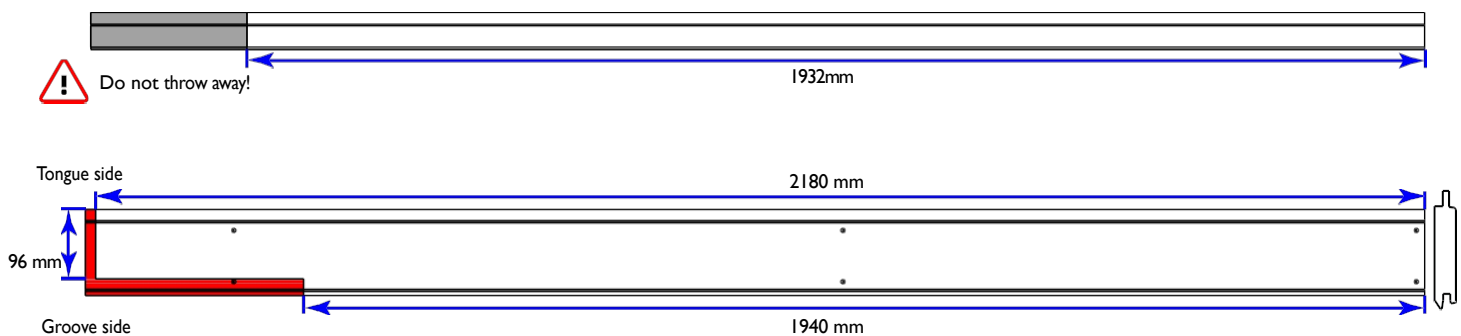
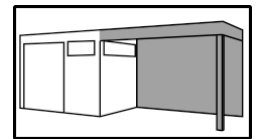
If you have purchased an extension and have placed it on the right side, go straight to step 11b.



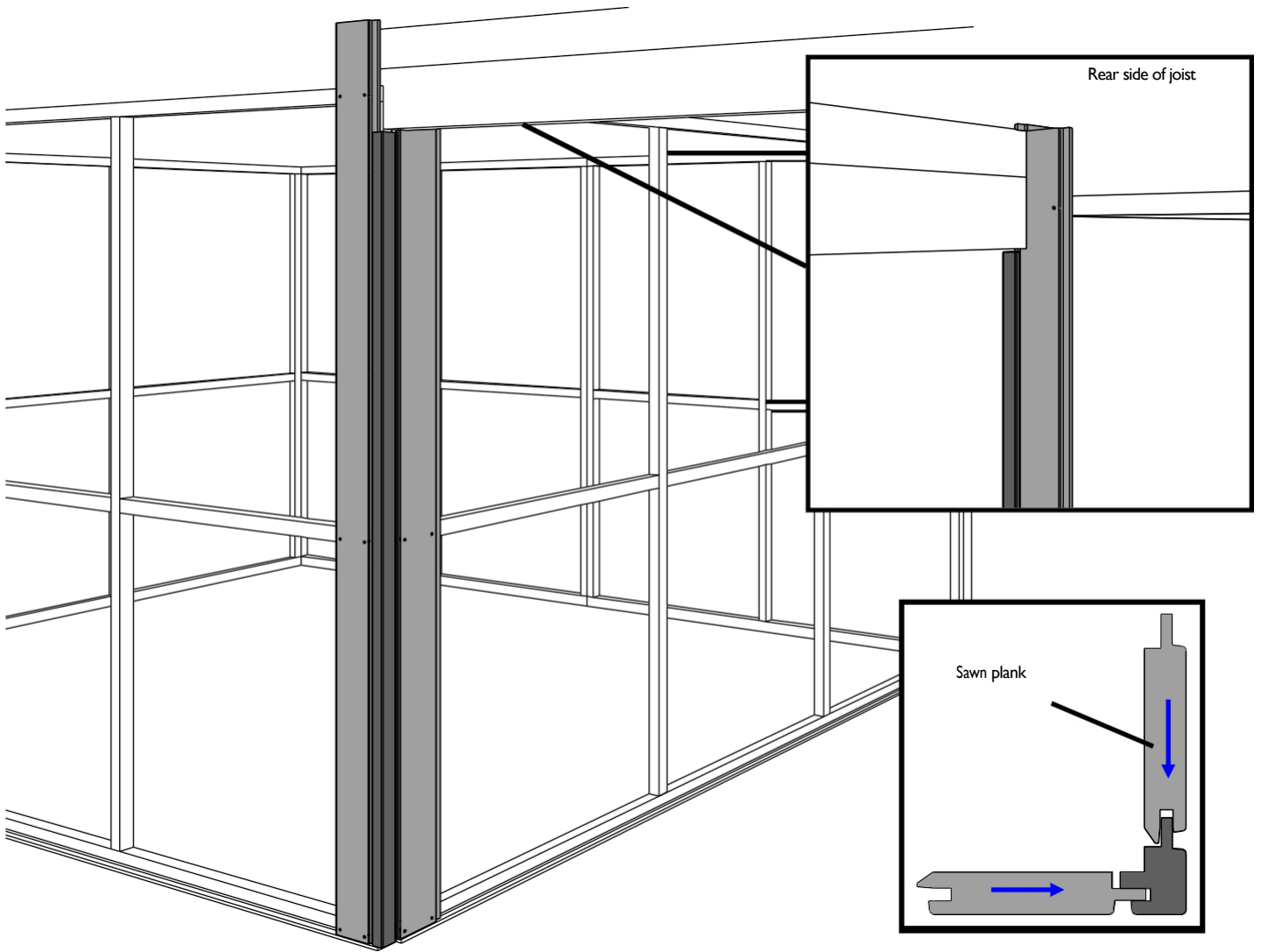
Fitting the corner profile for an extension on the right side

11b.

Cut 1 corner profile HPQBV1/2200 to a length of 1932. Please note, you will still need the short piece!
Cut the coloured piece from a plank QBV/TG/2200/3 – pay attention to the direction of the tongue!

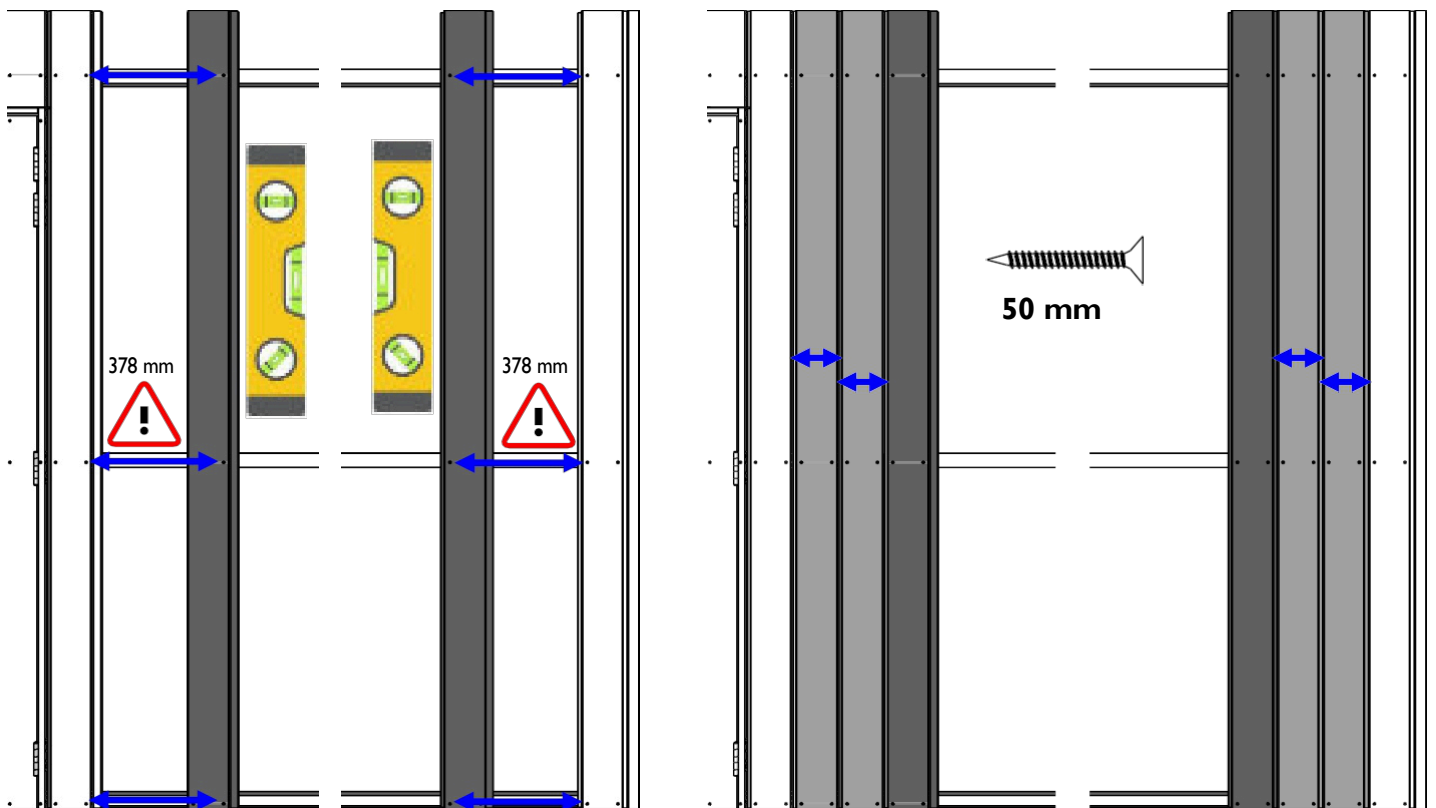


Create a corner by installing the sawn plank QBV/TG/2200/3 and an unsawn plank into the shortened corner profile HPQBV1/2200.
Position this assembly on the right front corner of the garden shed. Pay attention to the direction of the tongue and groove.



11c. Fitting the cladding to the 8x14 model

FOR model 8X14 ONLY: install a plank 378 mm to the right of the door and to the left of the corner plank; measure punched mark to punched mark on planks. Fill in with 2 planks at a time and distribute them evenly.



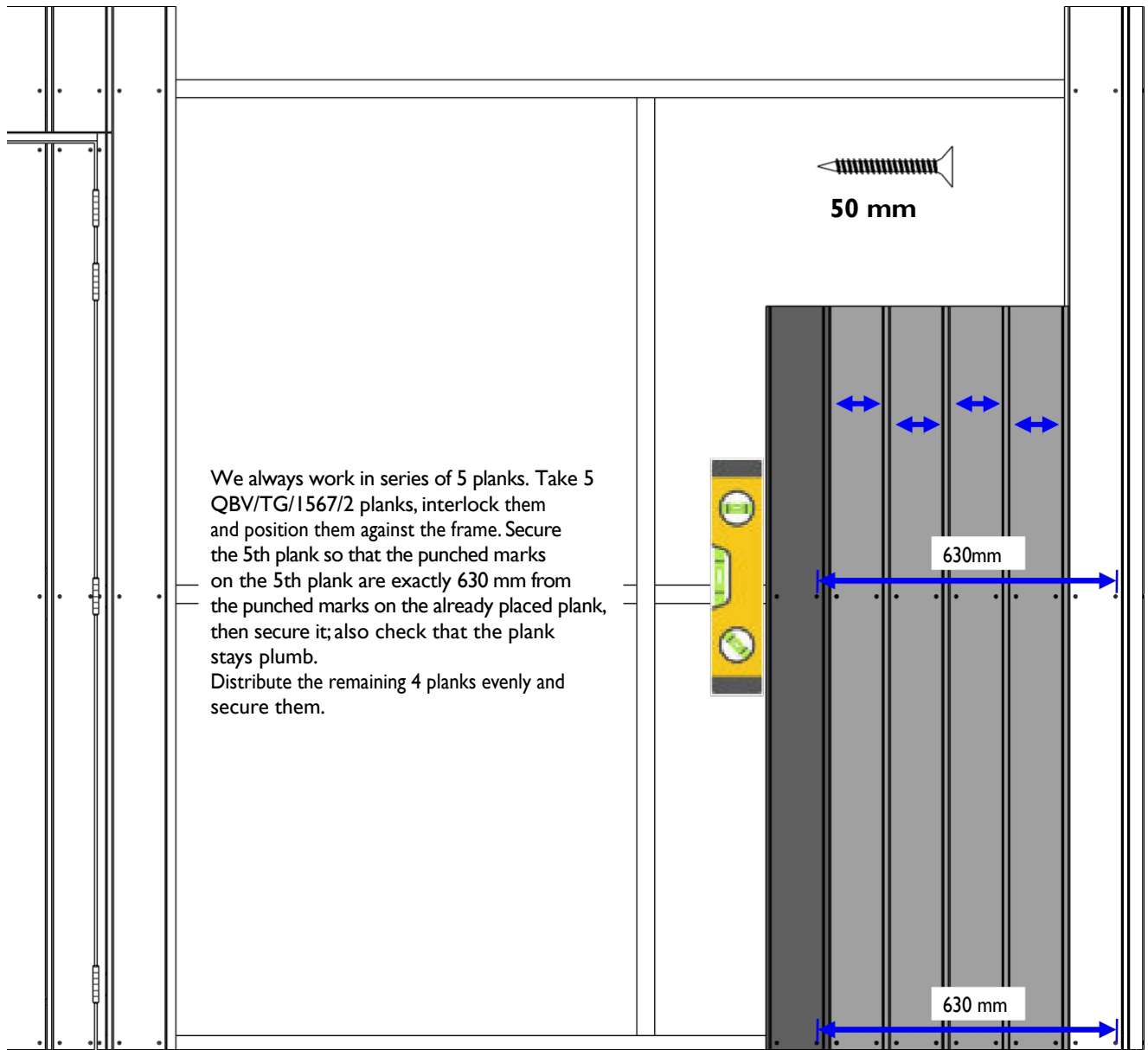
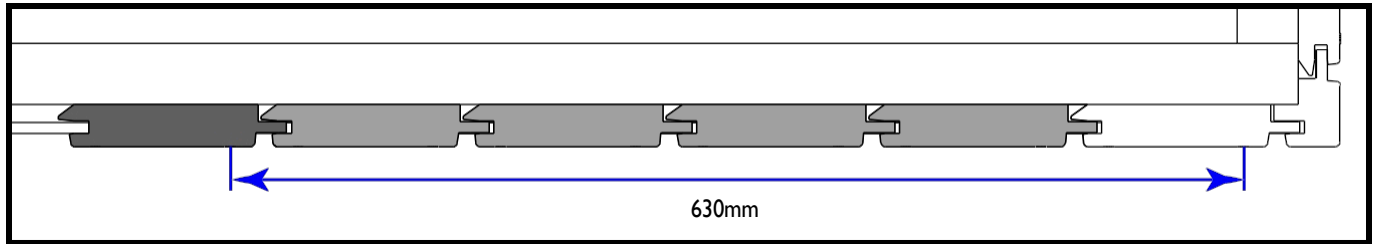
12. Fitting the cladding under the window

ATTENTION! This step is crucial for the correct assembly of your garden shed!

If you do not do this, the planks will not be able to 'move' and the walls may warp due to fluctuations in ambient humidity.



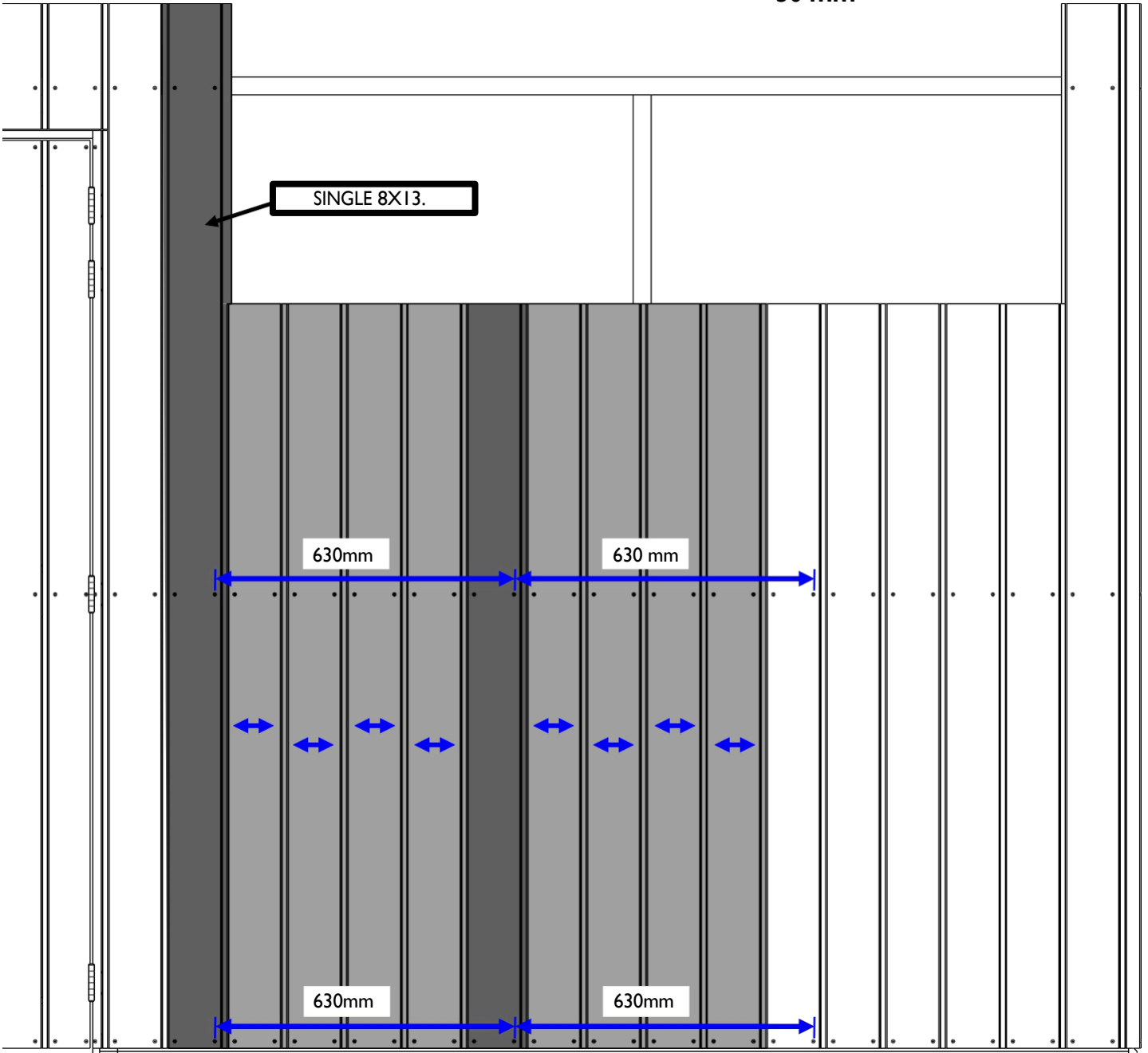
When cladding a wall, it is important not to simply slide the planks fully into place and secure them against the frame. "Wood lives", a saying that also applies to your purchase. In practical terms, this means that the width of the planks varies depending on the humidity. The plank therefore needs space on the left and right to 'move'. This also affects the length of the wall to be clad. Follow the principle explained below exactly!



Continue finishing the assembly by fitting another series of 5 QBV/TG/1567/2 planks. Maintain the 630mm spacing for the 5th plank. Then install a further 4 QBV/TG/1567/2 planks and, as the 5th plank, QBV/TG/2200/3 (not for the 8X14 model; this plank has already been fitted in step 10).

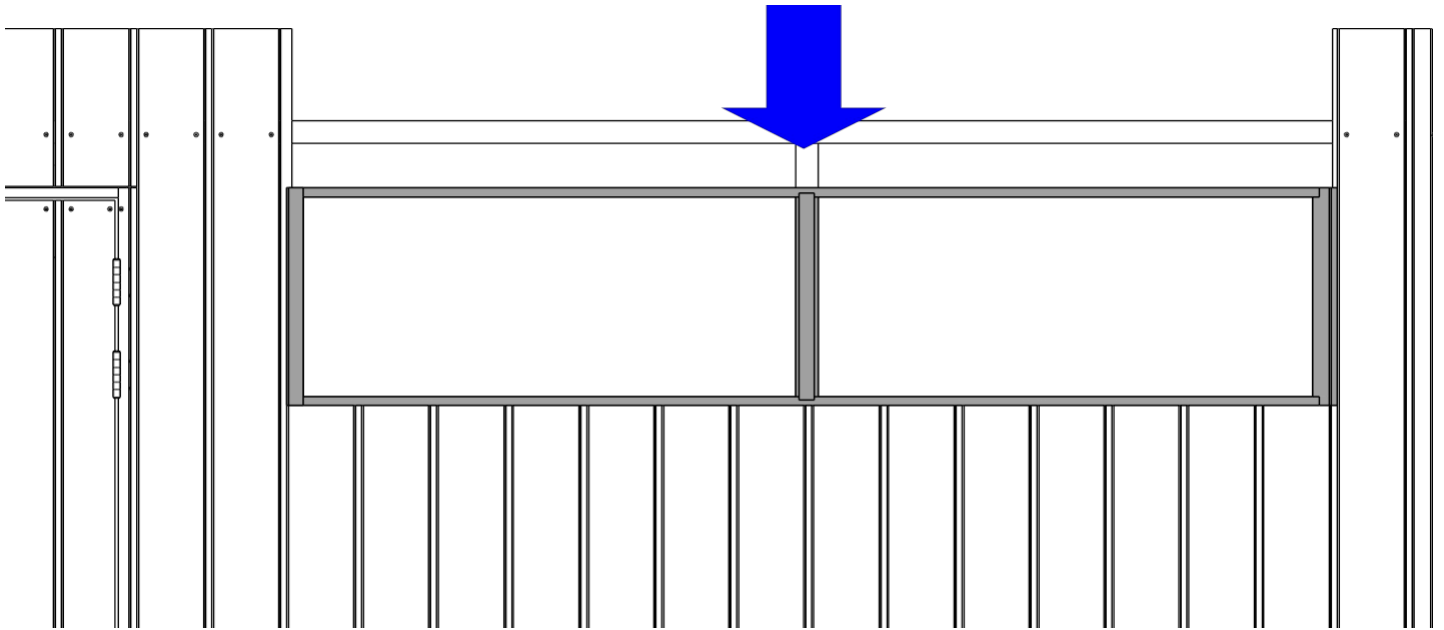


50 mm



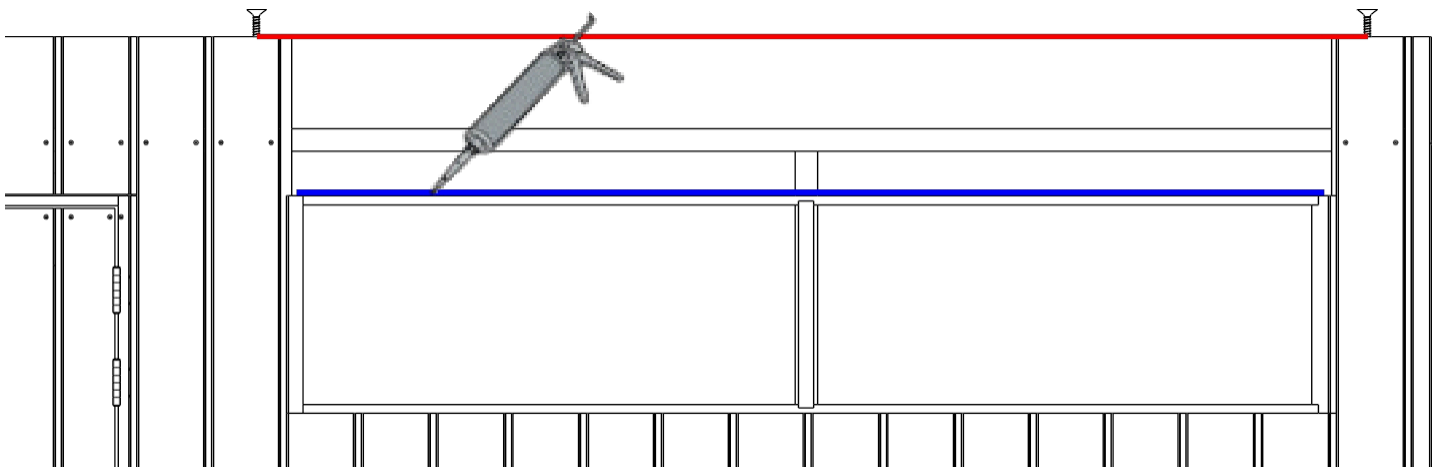
13. Fitting the window

Slide the window assembled in step 10 into the opening.

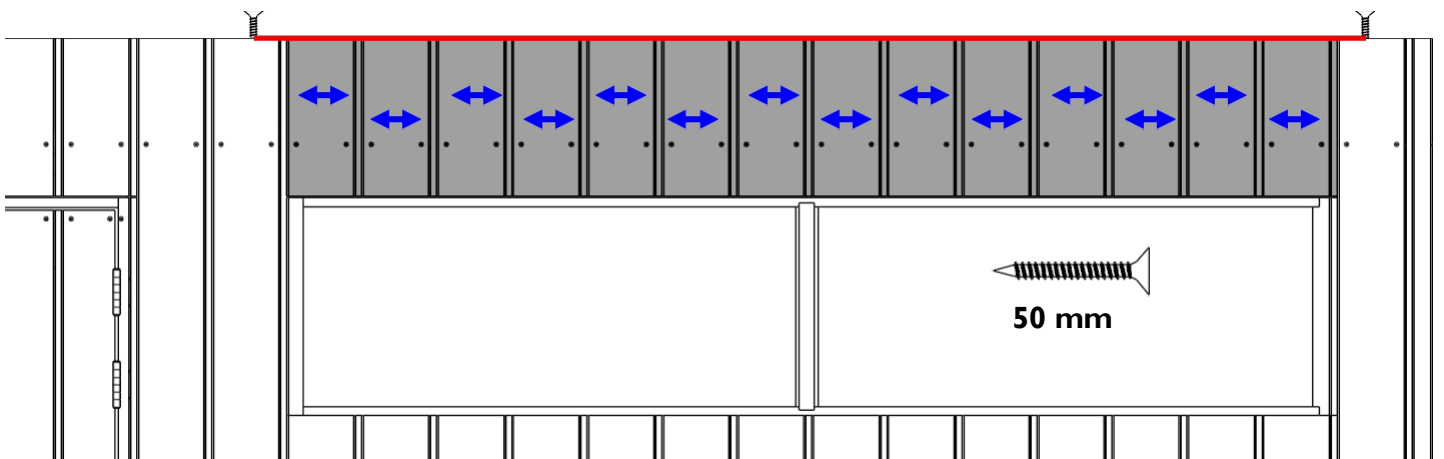


14. Fitting the cladding above the window

Attach a tightly taut string from the left to the right plank, flush with the top of the planks. Apply a thick bead of silicone above the window frame.

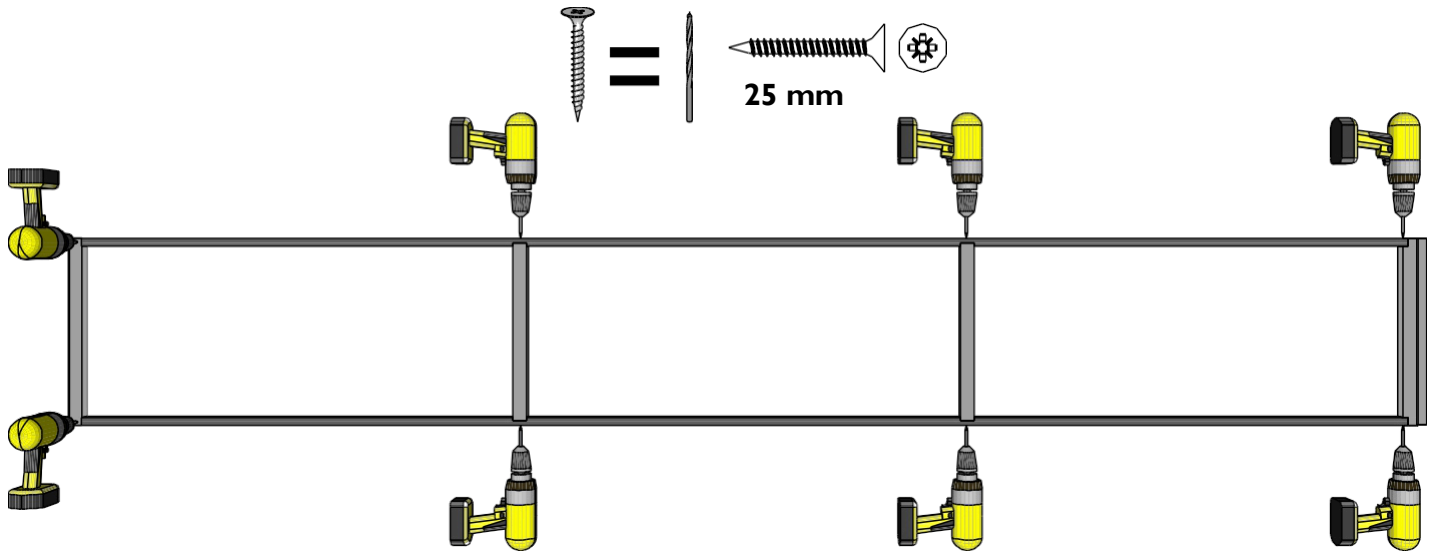
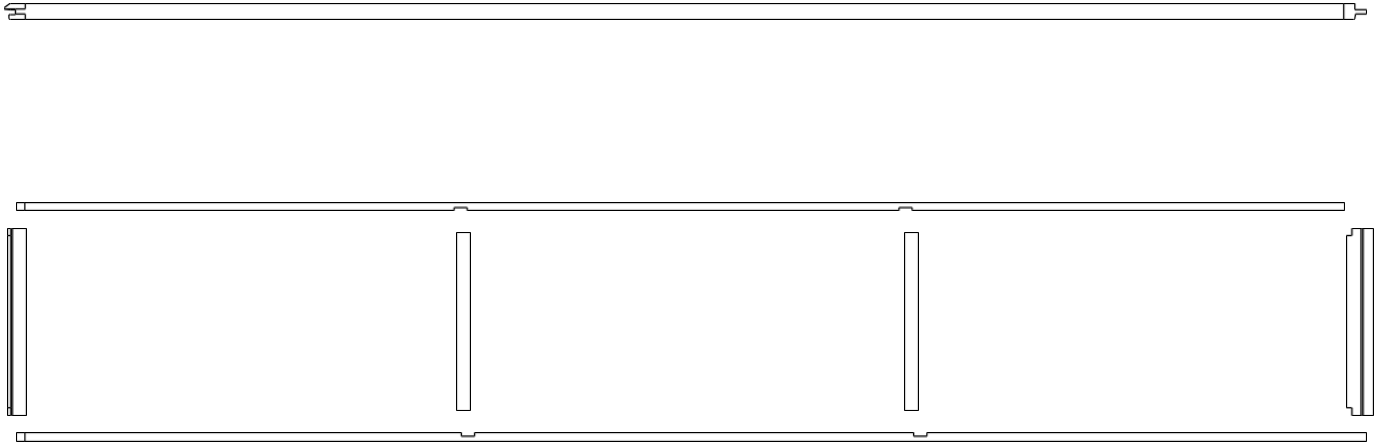


Secure the QBV/TG/0265/1 planks above the window WITH the top of the planks against the taut string; the planks do NOT rest on the window frame. Use the alignment of the planks below the window to distribute them evenly across the opening. Remove the string.



15. Assembling the side window frame

Assemble the QBV/VR3 window as shown in the drawings. Do not forget to pre-drill!



16. Side wall assembly with a window

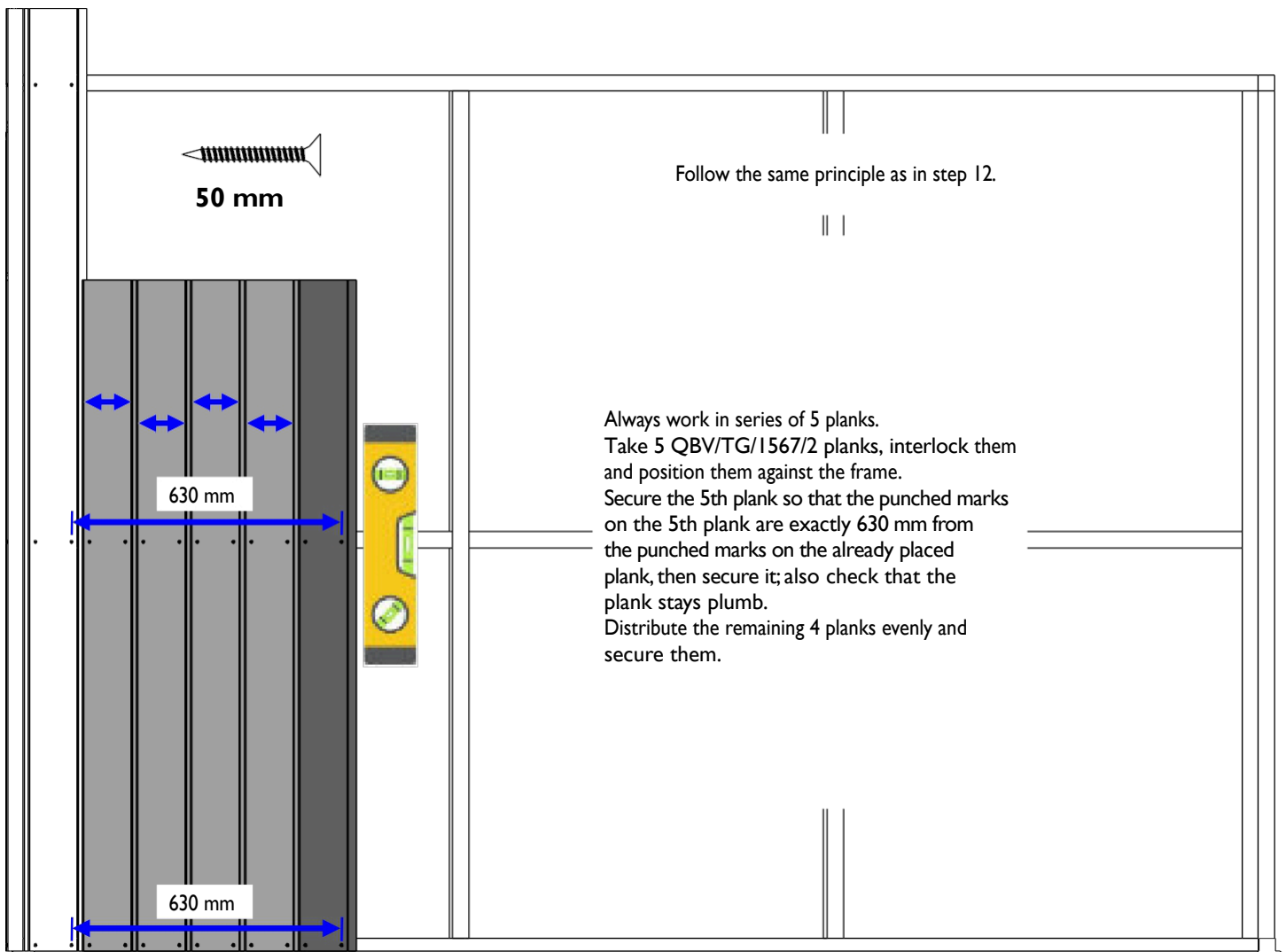
You can choose which side wall to fit the window into. The drawings show the window fitted into the right wall.

It doesn't matter whether you assemble the wall with or without the window first; if you wish to assemble the wall without the window first, go to step 19 and return to this step later.

If you have purchased a model **WITH** an extension and wish to position the window **BELOW** the extension, first install the side panel without a window; see step 19.

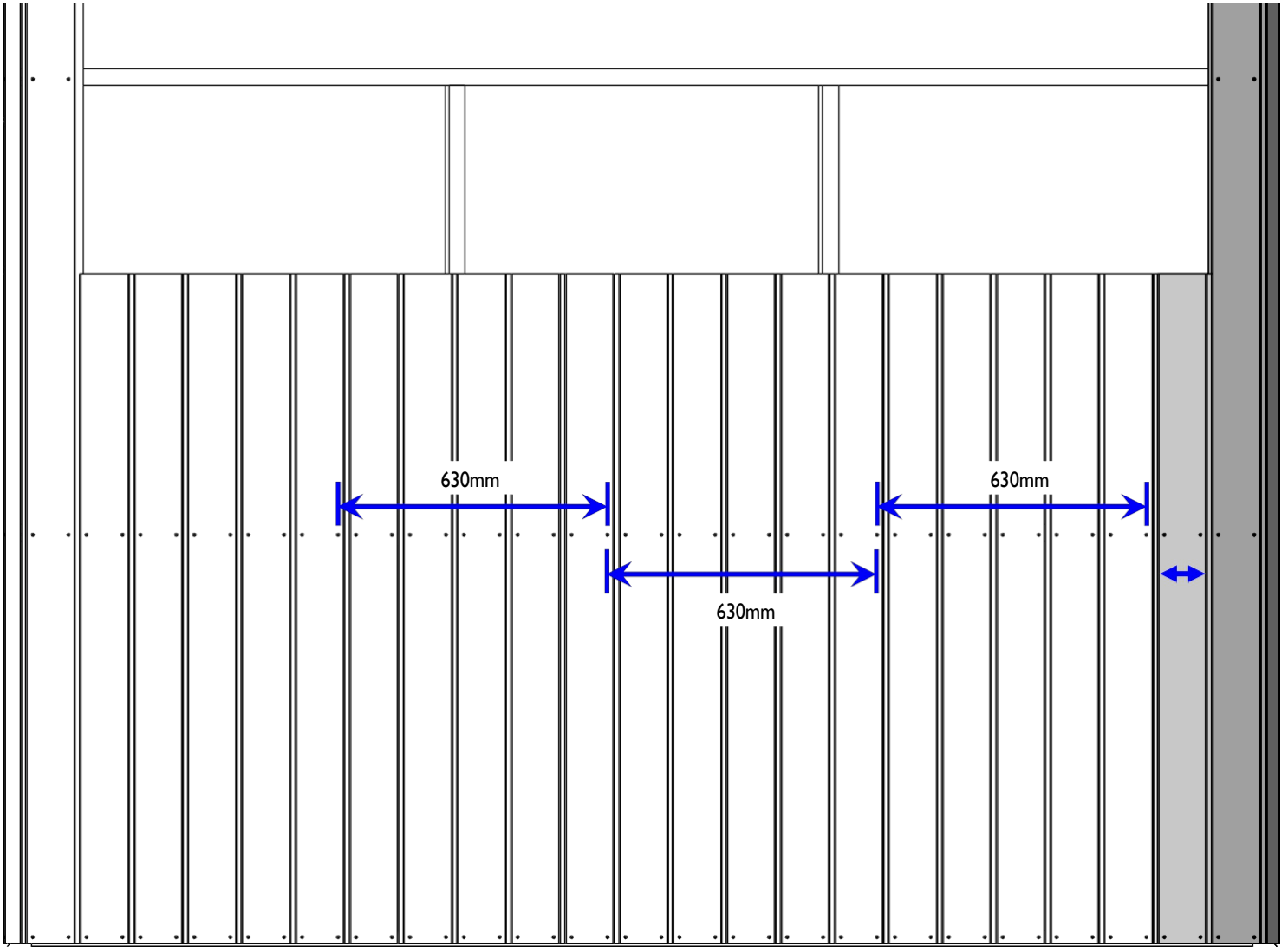
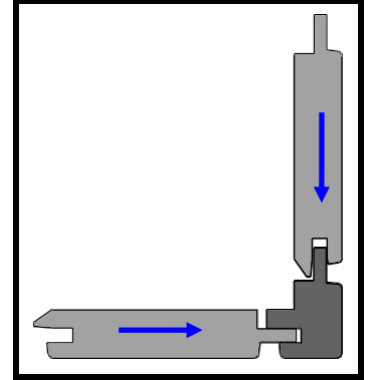


ATTENTION! This step is crucial for the correct assembly of your garden shed!
If you do not do this, the planks will not be able to 'move' and the walls may warp due to fluctuations in ambient humidity.



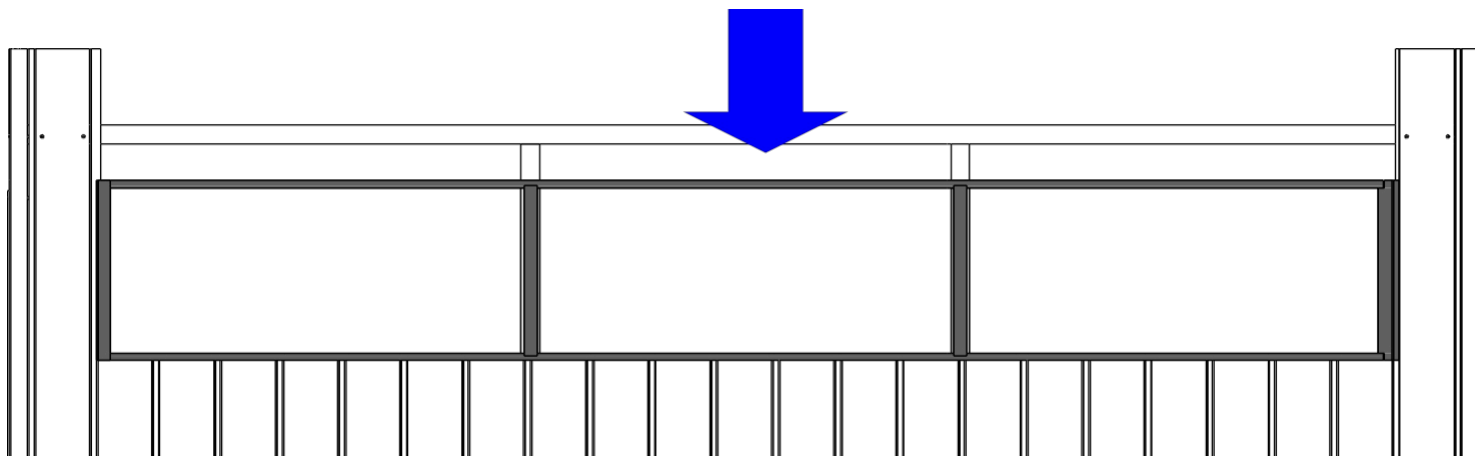
Continue finishing the wall by installing the cladding in series of 5 planks. Maintain a distance of 630mm for every 5th plank.
If you can no longer fit 5 planks, create a corner using 2 QBV/TG/2200/3 planks and an HPQBV1/2200 corner profile. Fit this corner and fill any gaps with additional QBV/TG/2200/3 planks, distribute them evenly and secure them.

If you have purchased an extension and wish to have a window on the side of the extension, install the final plank near the rear wall only after you have fitted the rear wall under the extension.



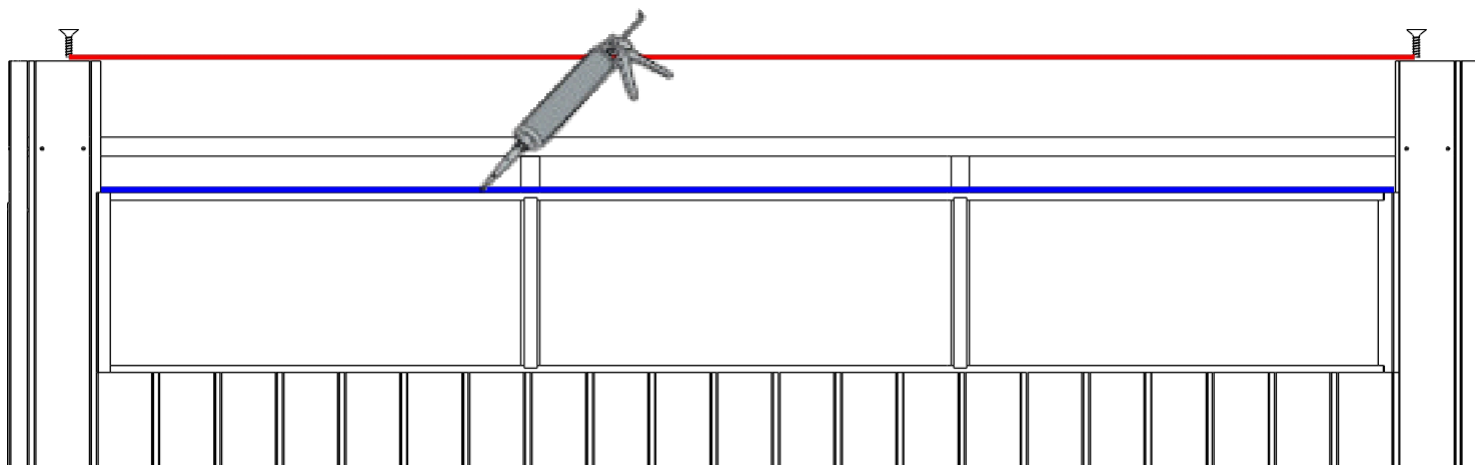
17. Fitting the window

Slide the window assembled in step 15 into the opening.

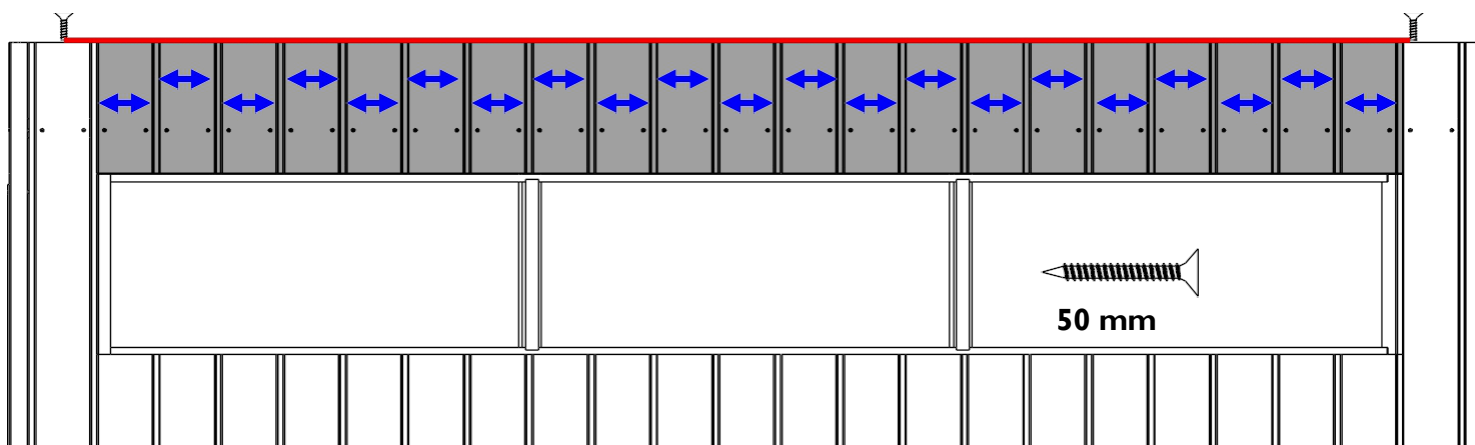


18. Fitting the cladding above the window

Attach a tightly taut string from the left to the right plank, flush with the top of the planks. Apply a thick bead of silicone above the window frame.



Secure the QBV/TG/0265/1 planks above the window WITH the top of the planks against the taut string; the planks do NOT rest on the window frame. Use the alignment of the planks below the window to distribute them evenly across the opening. Remove the string.



19. Fitting the cladding to a solid wall

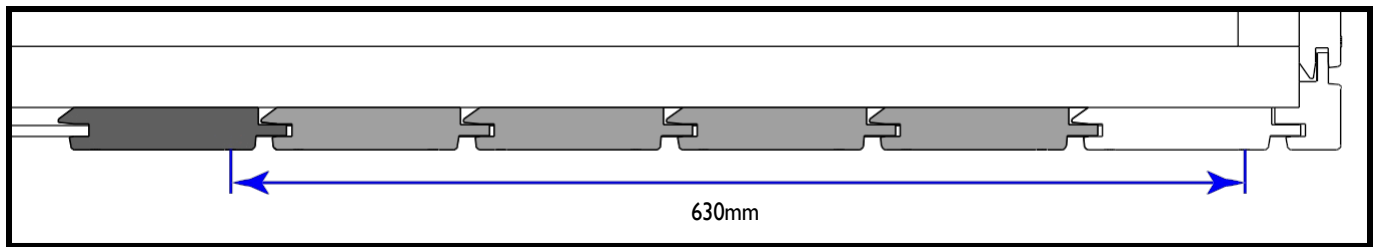


ATTENTION! This step is crucial for the correct assembly of your garden shed!

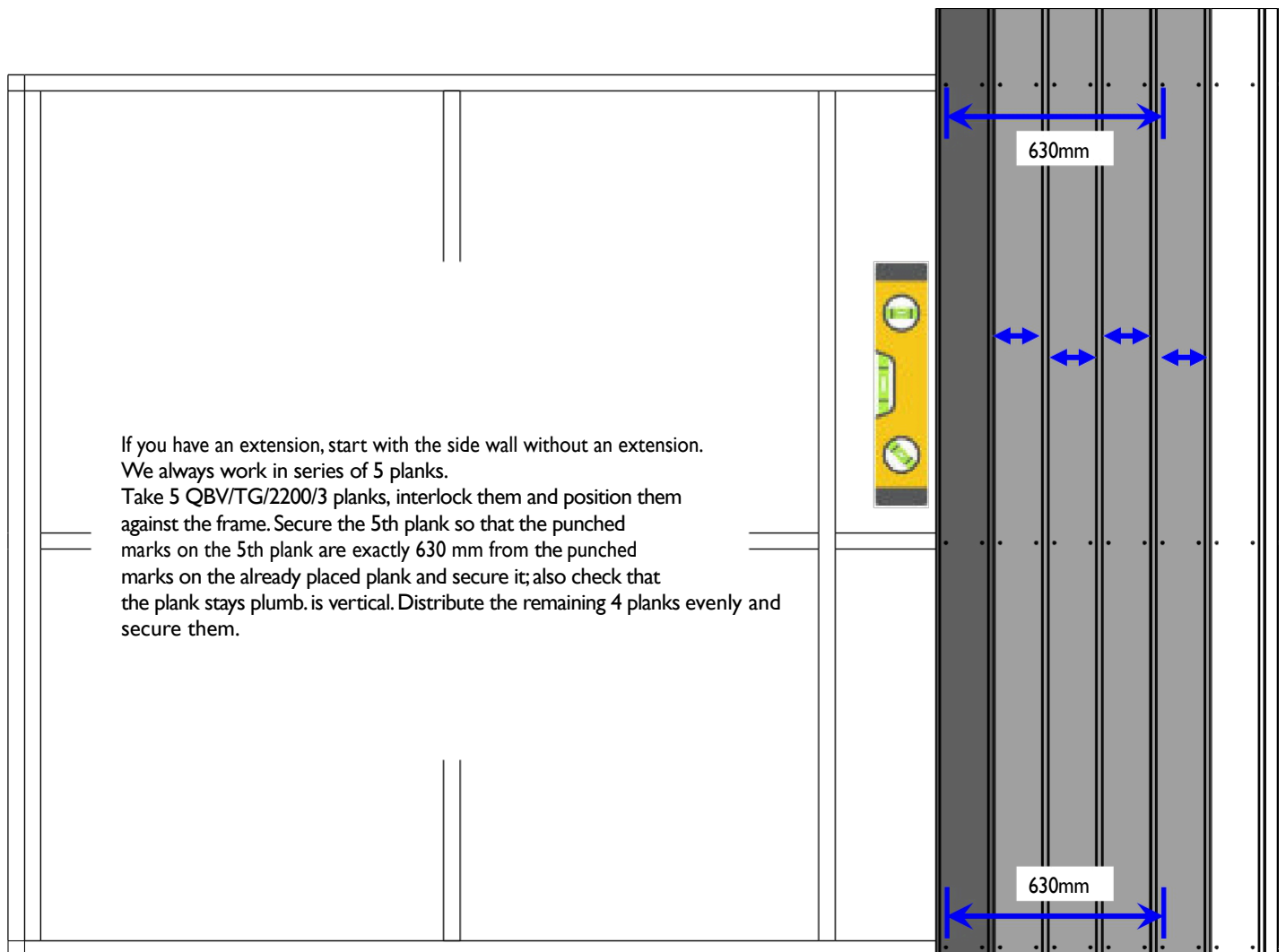
If you do not do this, the planks will not be able to 'move' and the walls may warp due to fluctuations in ambient humidity.



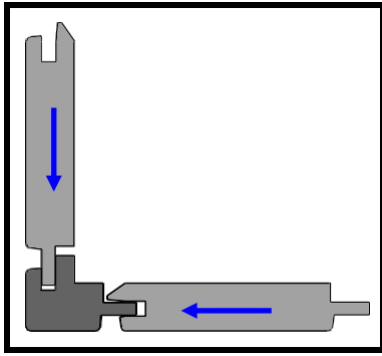
When cladding a solid wall, it is important not to simply slide the planks fully into place and secure them against the frame. "Wood lives", a saying that also applies to your purchase. In practical terms, this means that the width of the planks varies depending on the humidity. The plank therefore needs space on the left and right to 'move'. This also affects the length of the wall to be clad. Follow the principle explained below exactly!



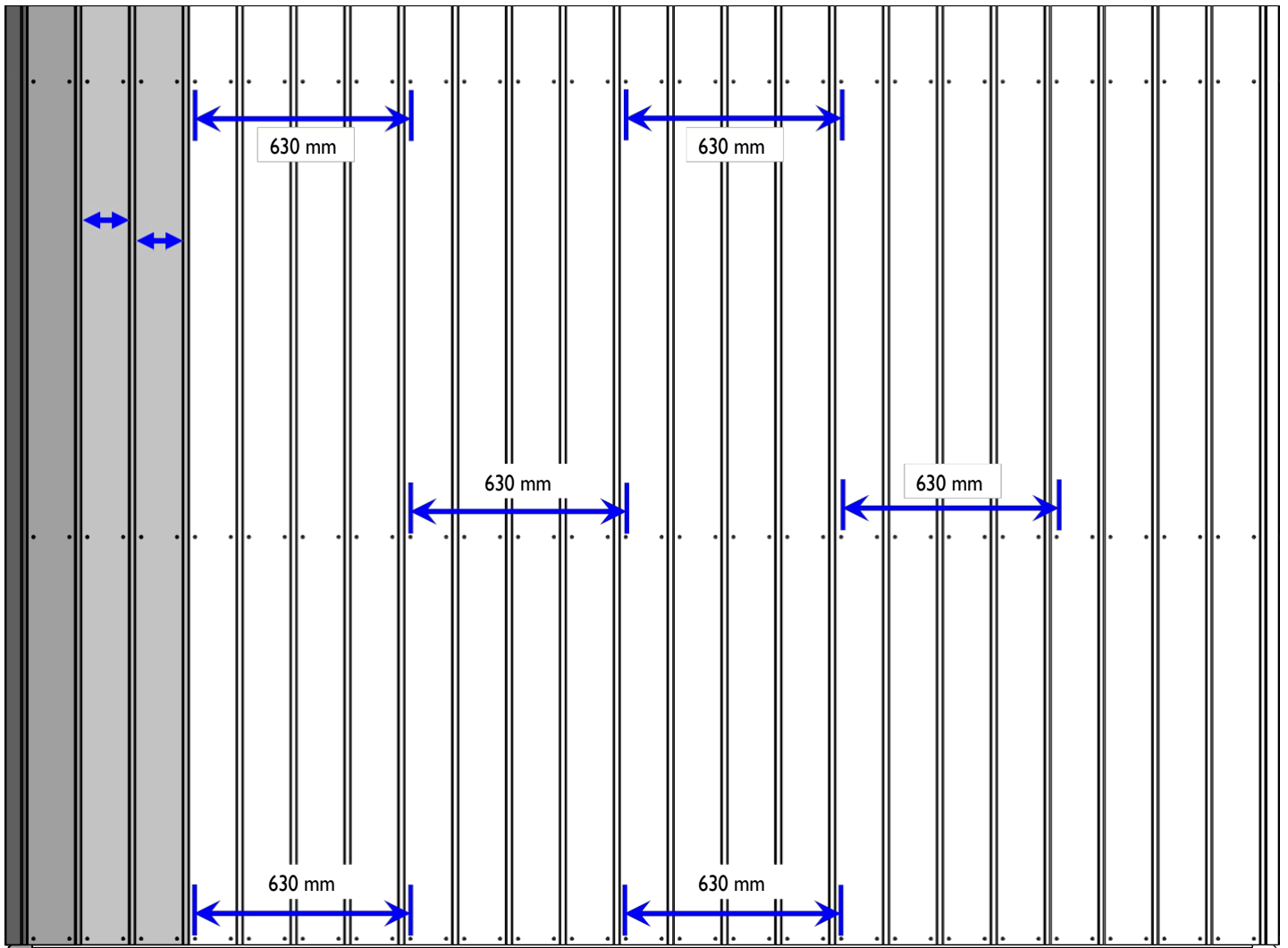
50 mm



Continue finishing the wall by installing the cladding in series of 5 planks. Maintain the 630mm spacing for every 5th plank. When you can no longer fit 5 planks, create a corner using 2 QBV3/TG/2210/3 planks and an HPQBV1/2200 corner profile. Fit this corner and fill any gaps with additional QBV3/TG/2210/3 planks, distribute them evenly and secure them.



50 mm

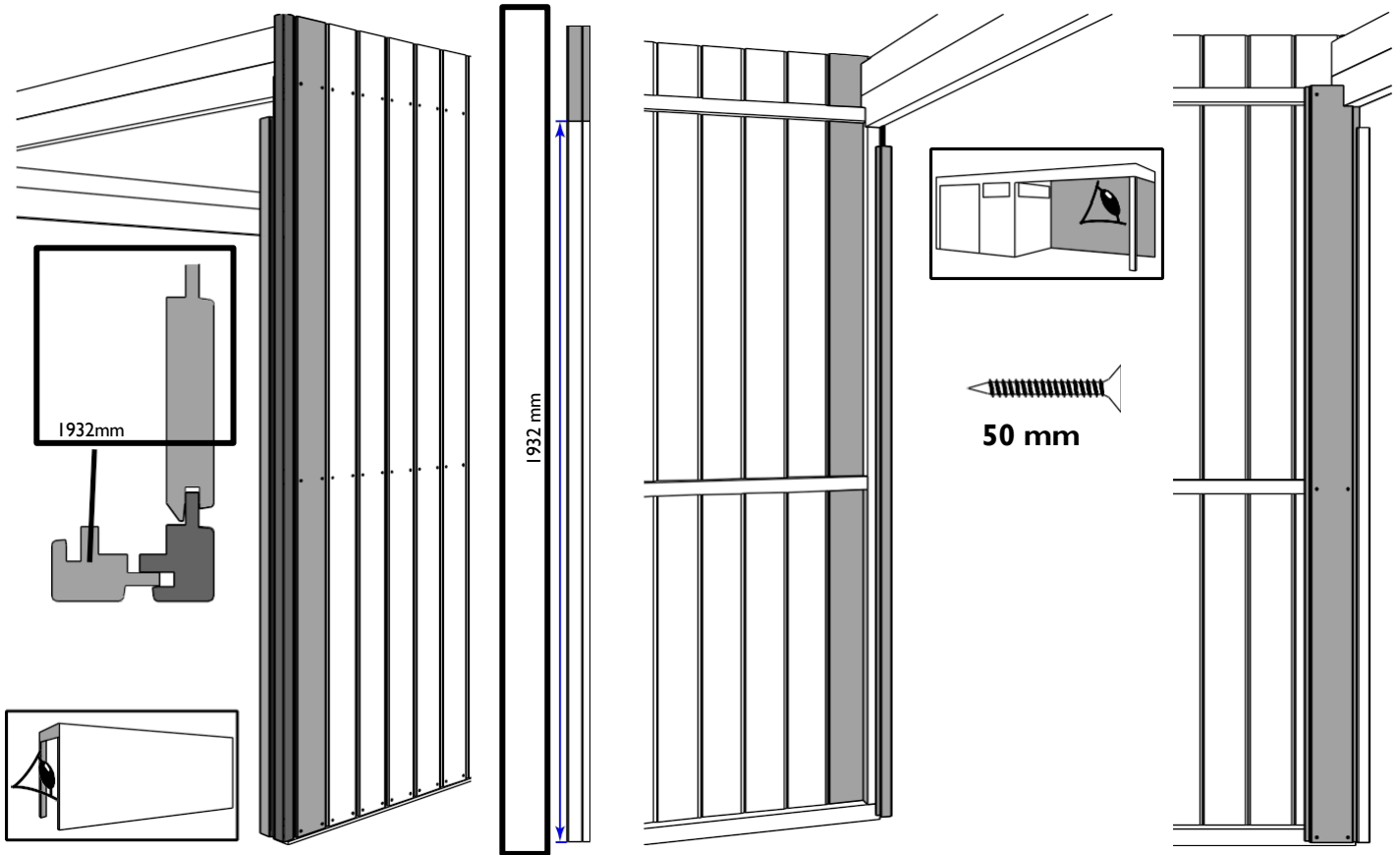


Repeat until you have finished all the walls. If you have not yet installed the wall with the window, please refer to step 16. If you are building an extension, please follow the steps below.

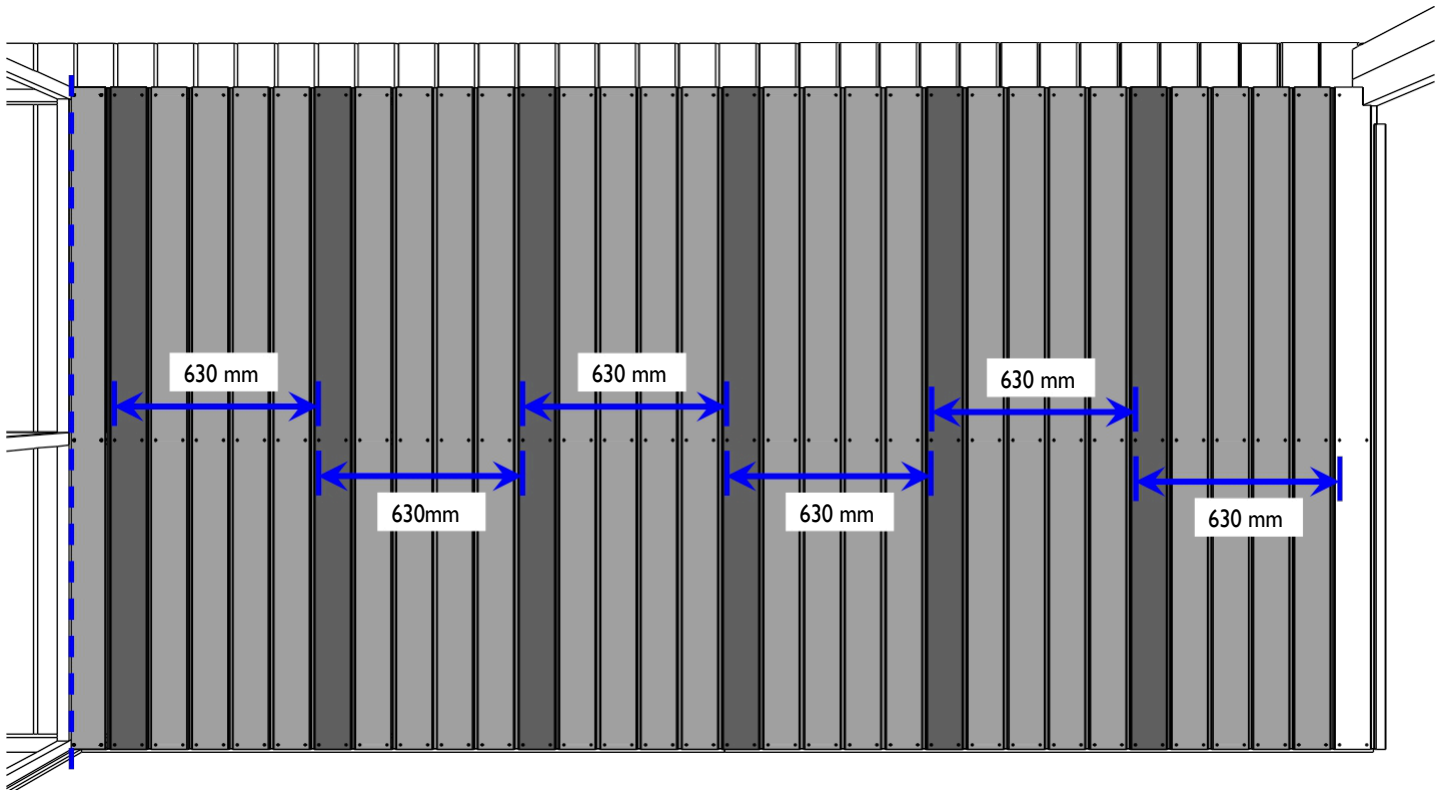
20. Fitting the cladding to the rear wall under the extension.

When you reach the end of the rear wall extension, create a corner using 1 QBV/TG/2200/3 plank, 1 HPQBV1/2200 corner profile HPQBV1/2200 and a corner profile HPQBV1/2200 cut to a length of 1932 mm.

Place a plank QBV/TG/2045/3a into the 1932 mm cut corner profile HPQBV1/2200. To do this, cut a notch in the plank where the beam is located. The top of the plank should be flush with the top of the frame, so the plank does not rest on the ground.

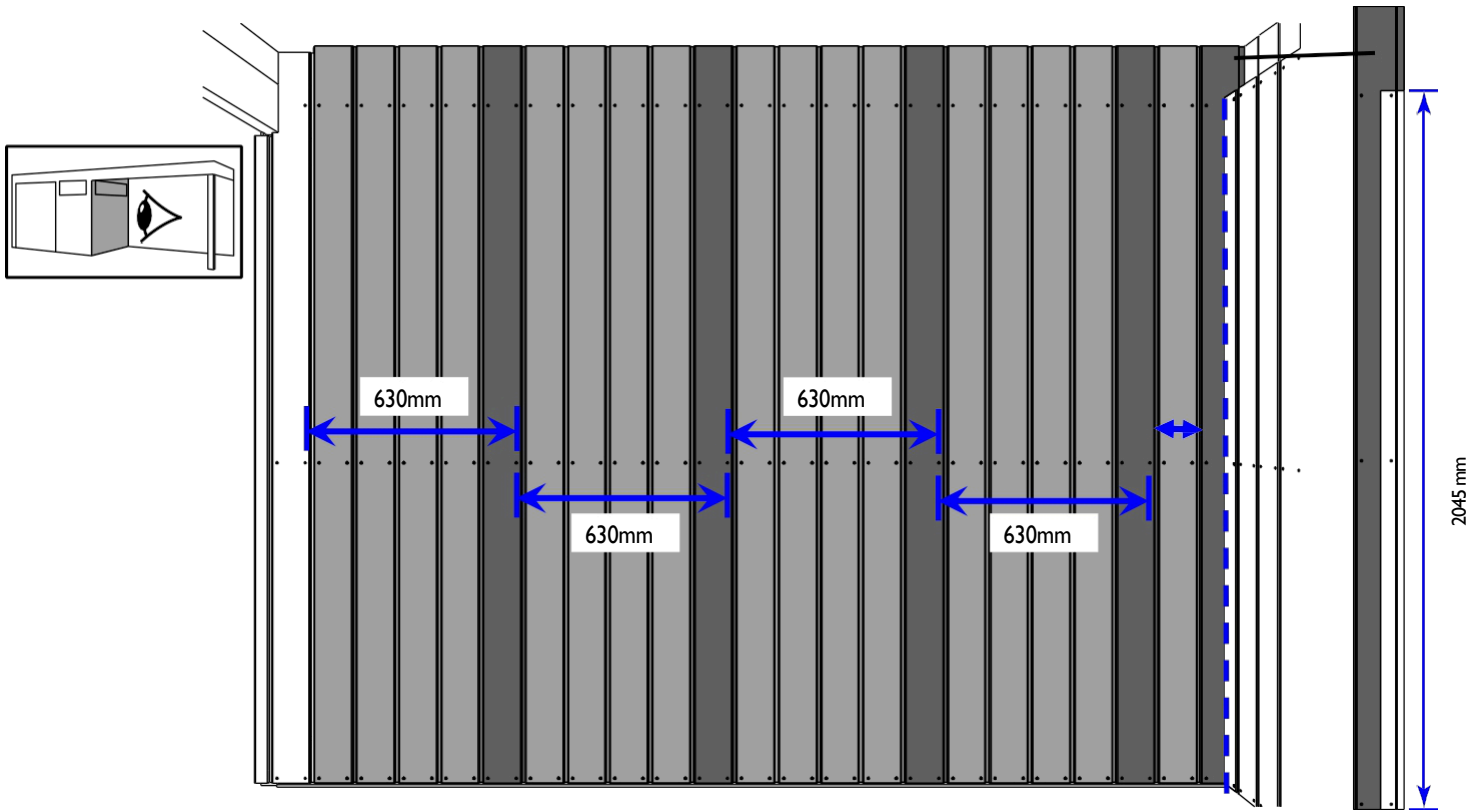


Then fit the remaining QBV3/TG/1970/3a planks until you reach the corner with the side wall; cut the last plank to the correct width lengthwise.



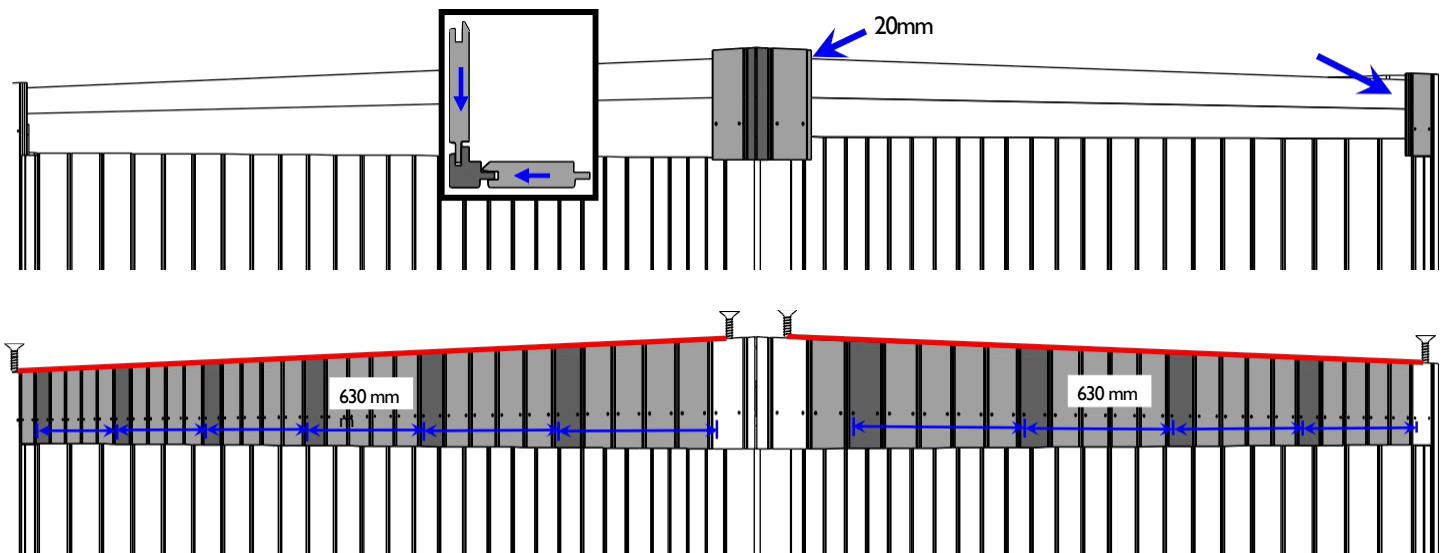
21. Fitting the cladding to the side wall under the extension.

Start by placing the QBV/TG/2200/3 wall planks from the front corner of the garden shed towards the rear wall of the extension. Always follow the same principle: install 5 planks, fix the 5th plank 630mm from the previous, and distribute the remaining 4 planks evenly. Cut the last plank lengthwise to the correct width at the rear wall joint, to a height of 2045mm. Refer to step 16 if you have chosen to install the window in this wall



22. Fitting the cladding to the joists of the extension.

Create a corner using 2 QBV/TG/0265/1 planks and the cut-off piece of HPQB1/2200 corner profile (265mm). Secure this assembly at the corner of the joists, leaving 20mm protruding above the joist. Also place a QBV/TG/0265/1 plank at the rear. Attach a taut string, as shown in the drawing below, flush with the top of the planks. Finally, secure the remaining planks.

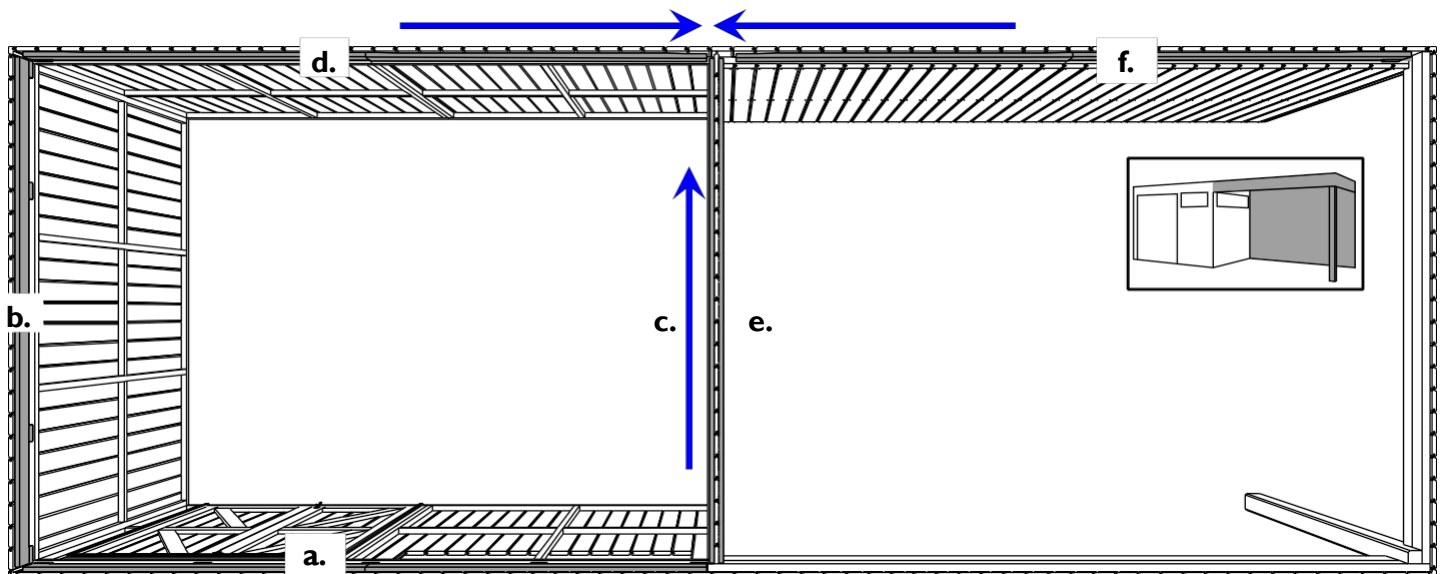
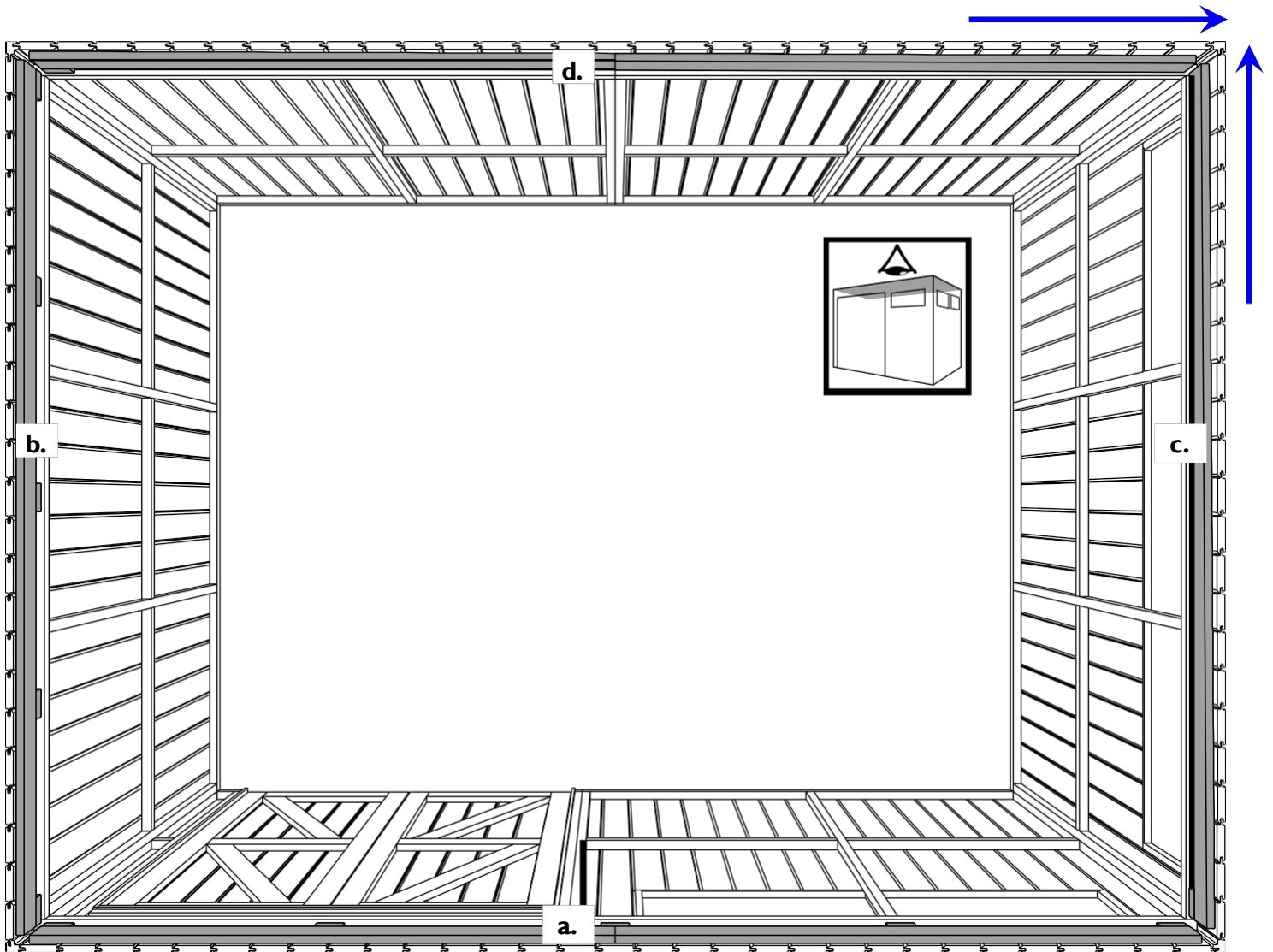


23. Installation of the roof carriers

The roof slopes down to one corner.

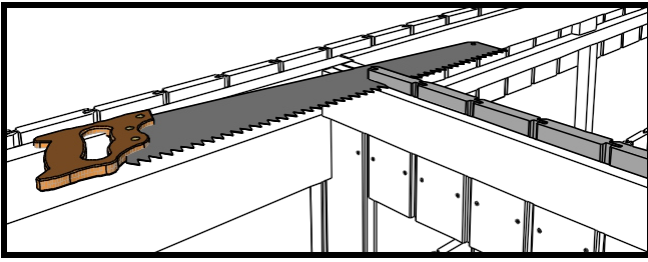
If you **do not** have an extension, you can choose which rear corner to use. The drawings show drainage in the right-hand corner.

If you have purchased an extension, this can only be to the rear corner on the **side of** the extension, as rainwater from the extension is drained via the same outlet.

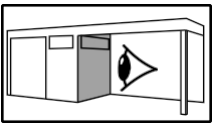
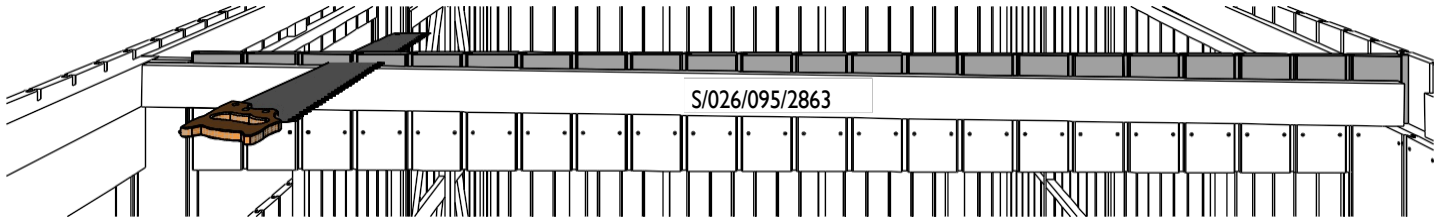


24. Cut off side wall of extension

ONLY FOR MODELS WITH AN EXTENSION



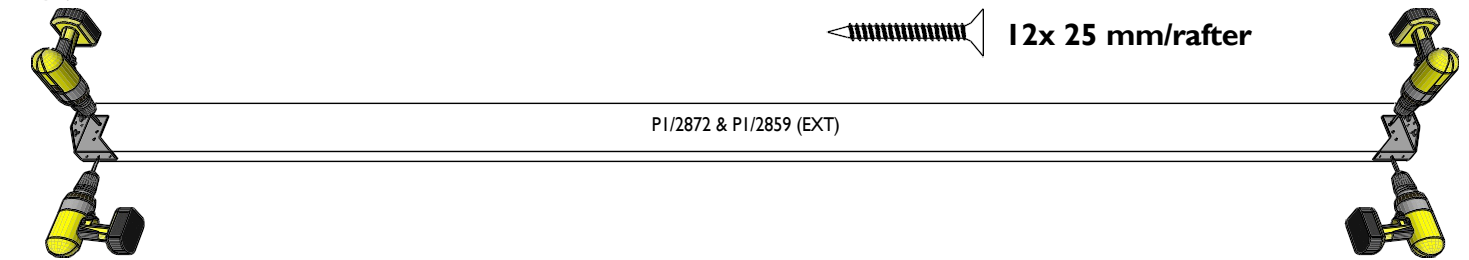
Cut the protruding cladding parts of the side wall (extension side) flush with the roof rafters.



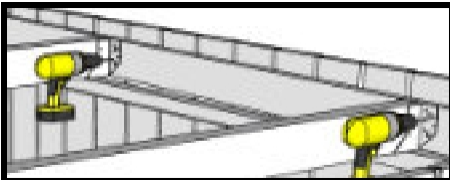
25. Preparation of roof rafters

 12x 25 mm/rafter

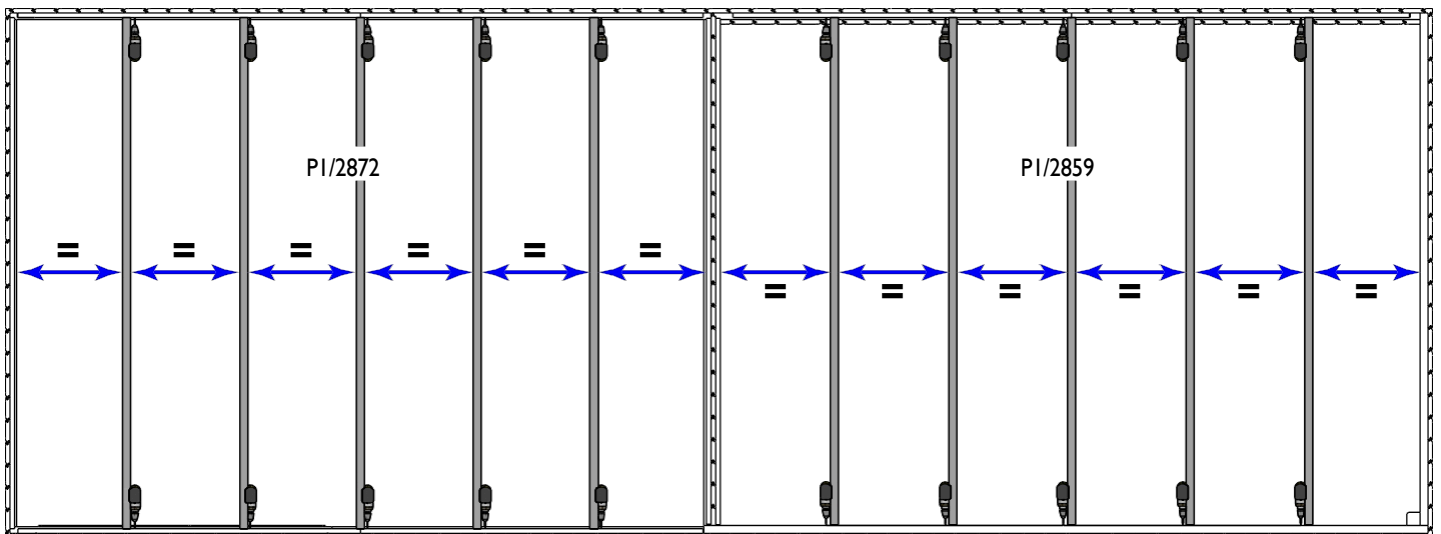
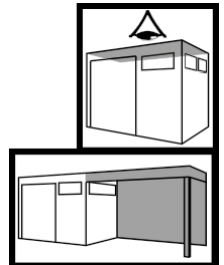
PI/2872 & PI/2859 (EXT)



26. Installation of roof rafters



Distribute the rafters symmetrically across the width of the garden shed and the extension.



 10 x 25 mm/rafter

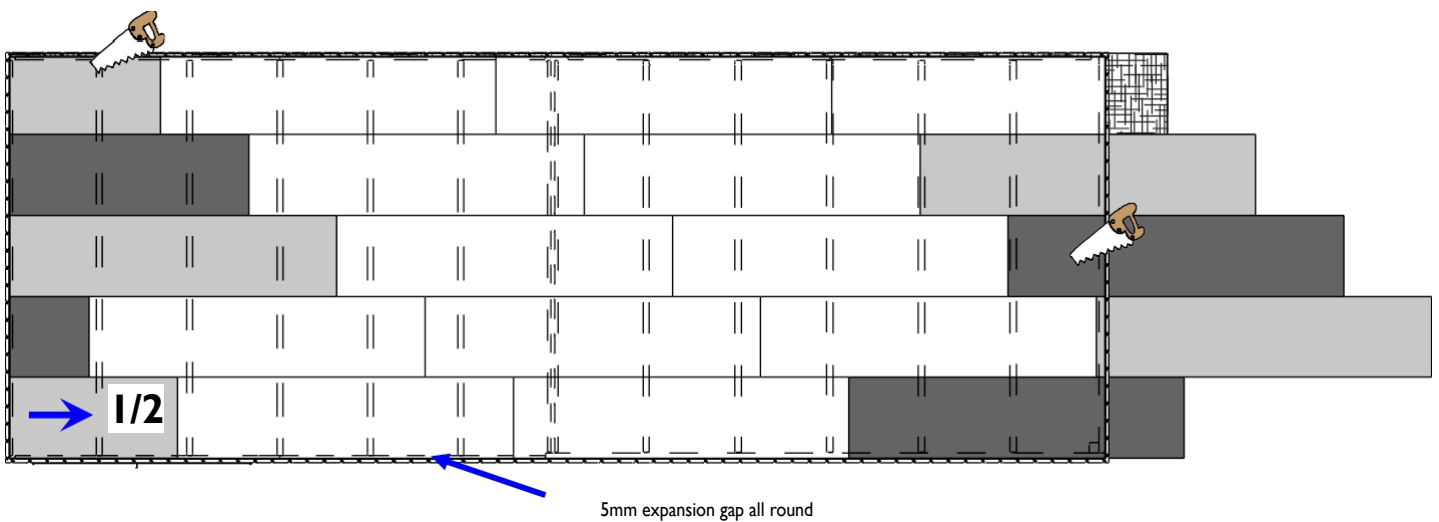
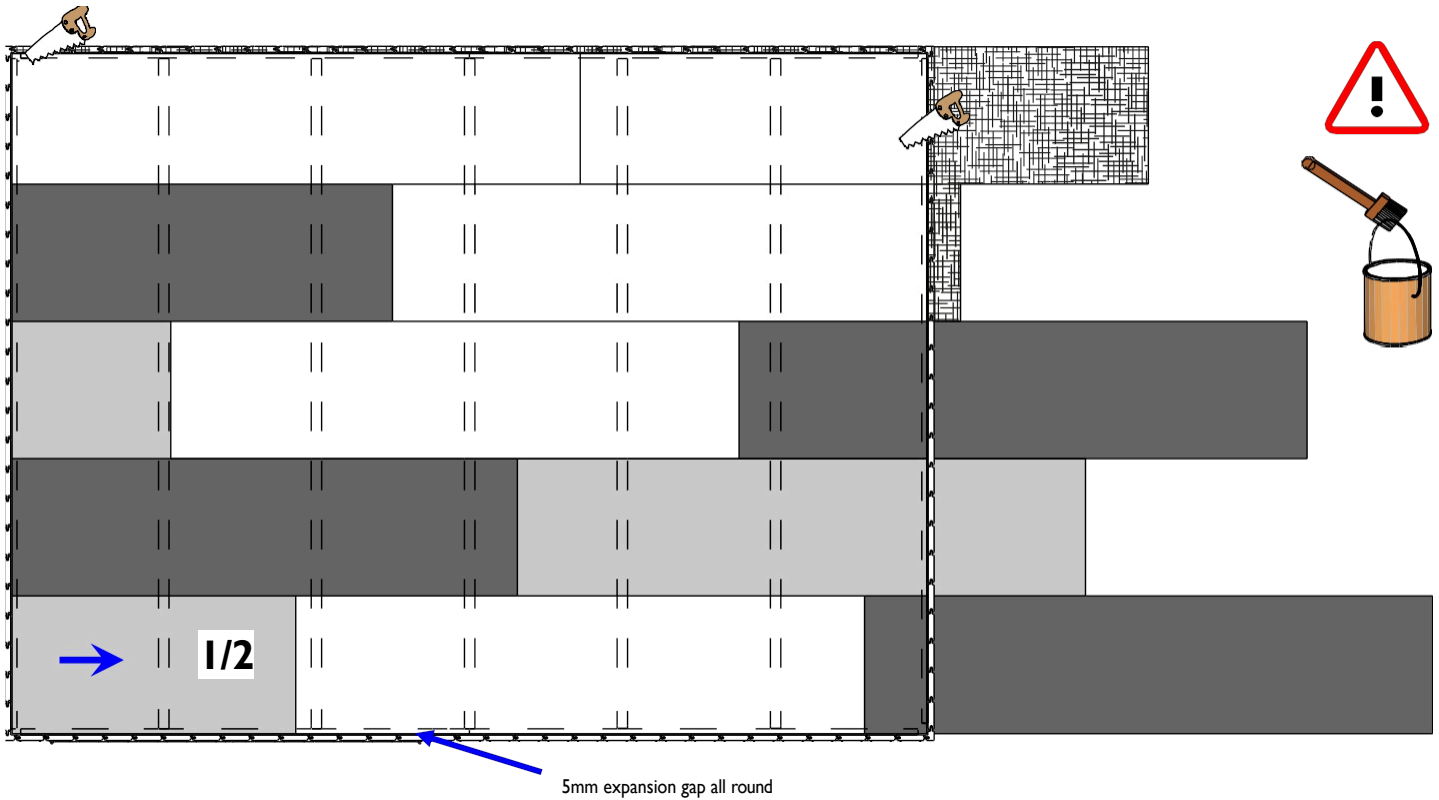
27. OSB.



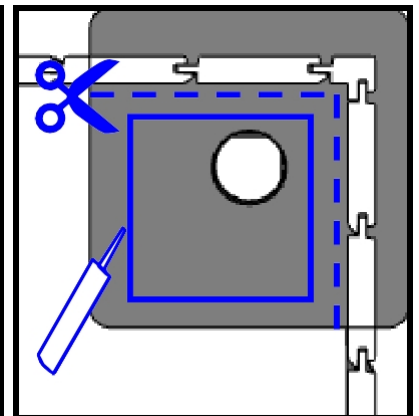
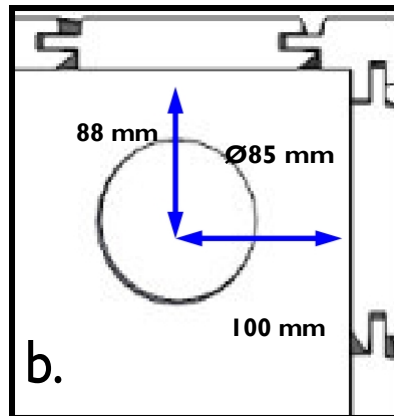
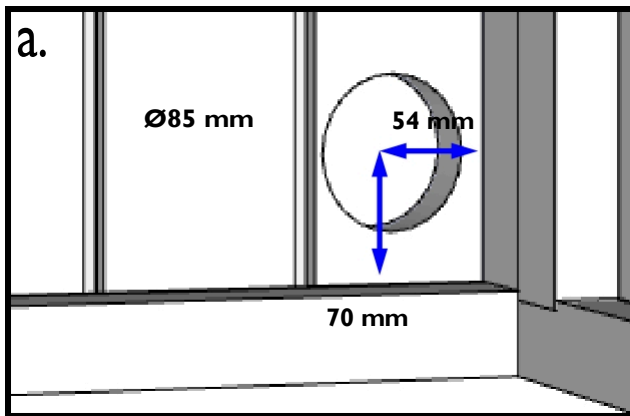
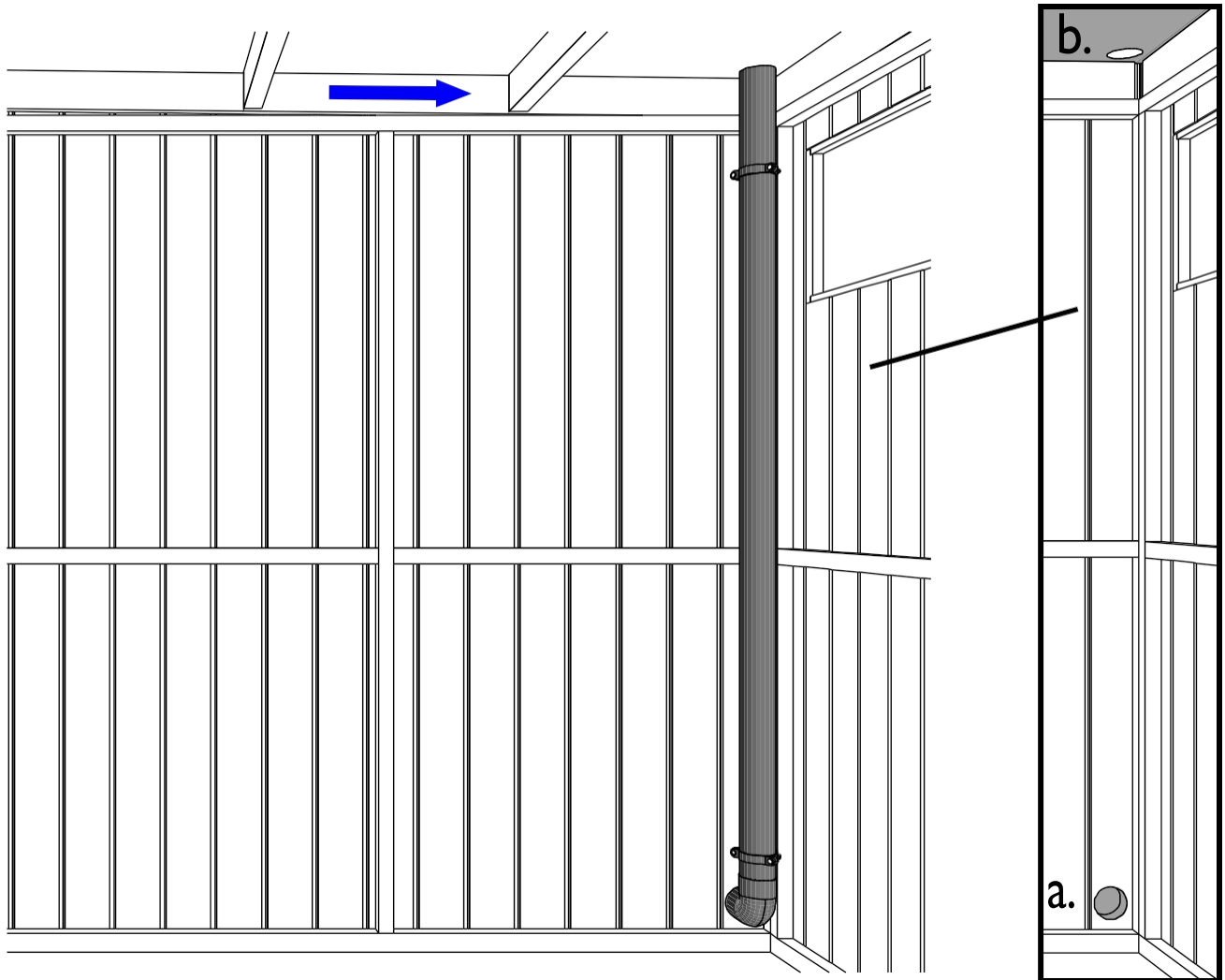
Treat the top and bottom of the OSB3 roof sheets with a protective coat of wood stain or other paint; this will significantly extend the life of your product and help prevent mould.



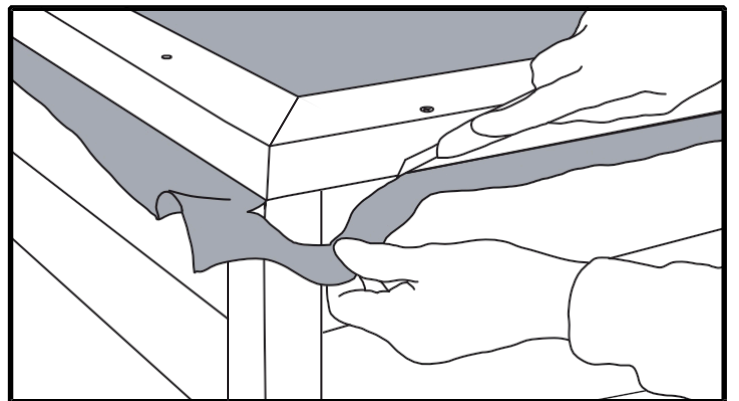
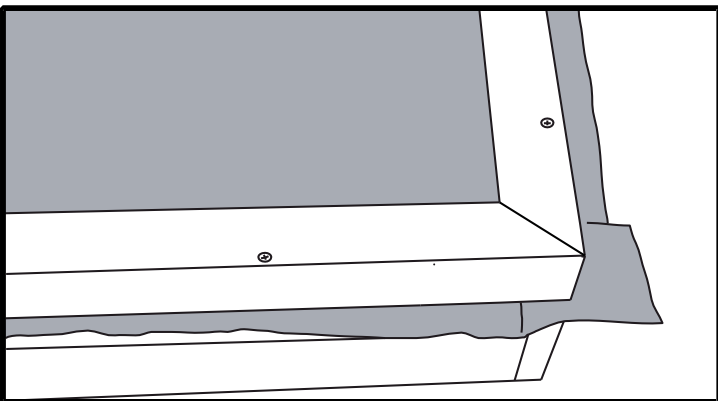
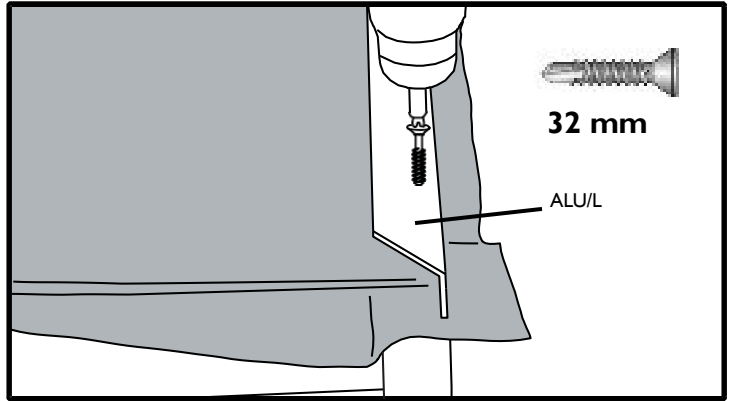
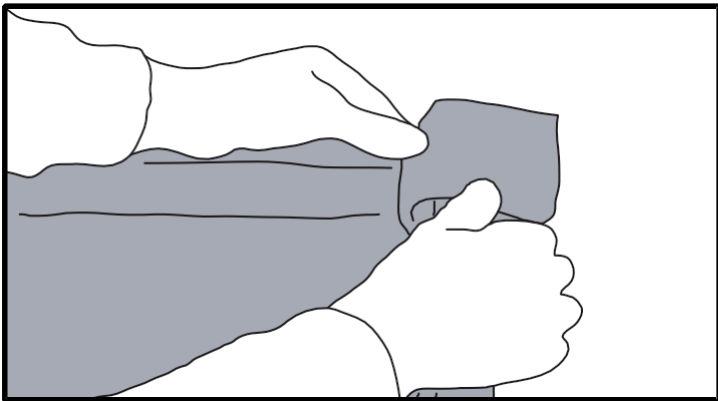
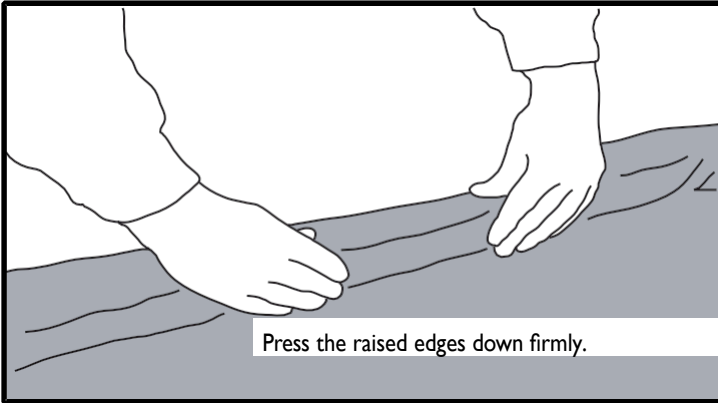
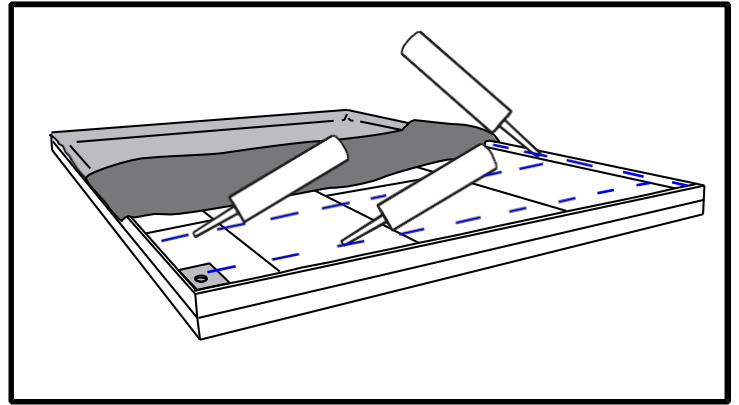
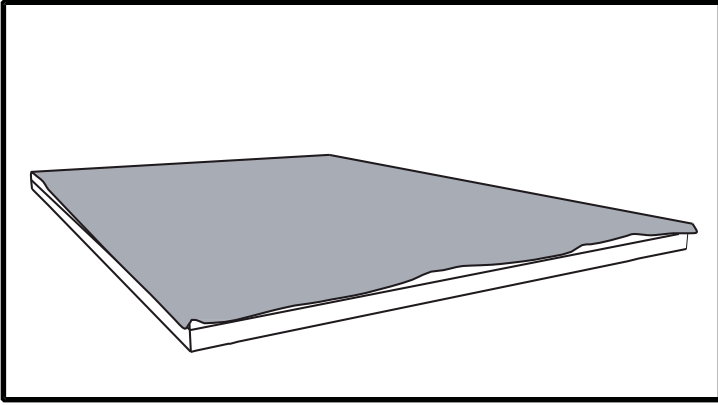
Start with the supplied half OSB sheet in the front left corner. Complete the front row; on the model with an extension, the row of sheets continues over the intermediate wall. The white sheets in the drawing below are full sheets; cut the last sheet in the row to length and use the offcut for a new row on the left side. Continue working until you reach the rear; cut the sheets of the last row to width lengthwise. Wait to secure the sheets until you have laid out a complete row, so that you can still make any necessary adjustments. Secure to each rafter and roof carrier.



28. Installation of the gutter



29. EPDM.

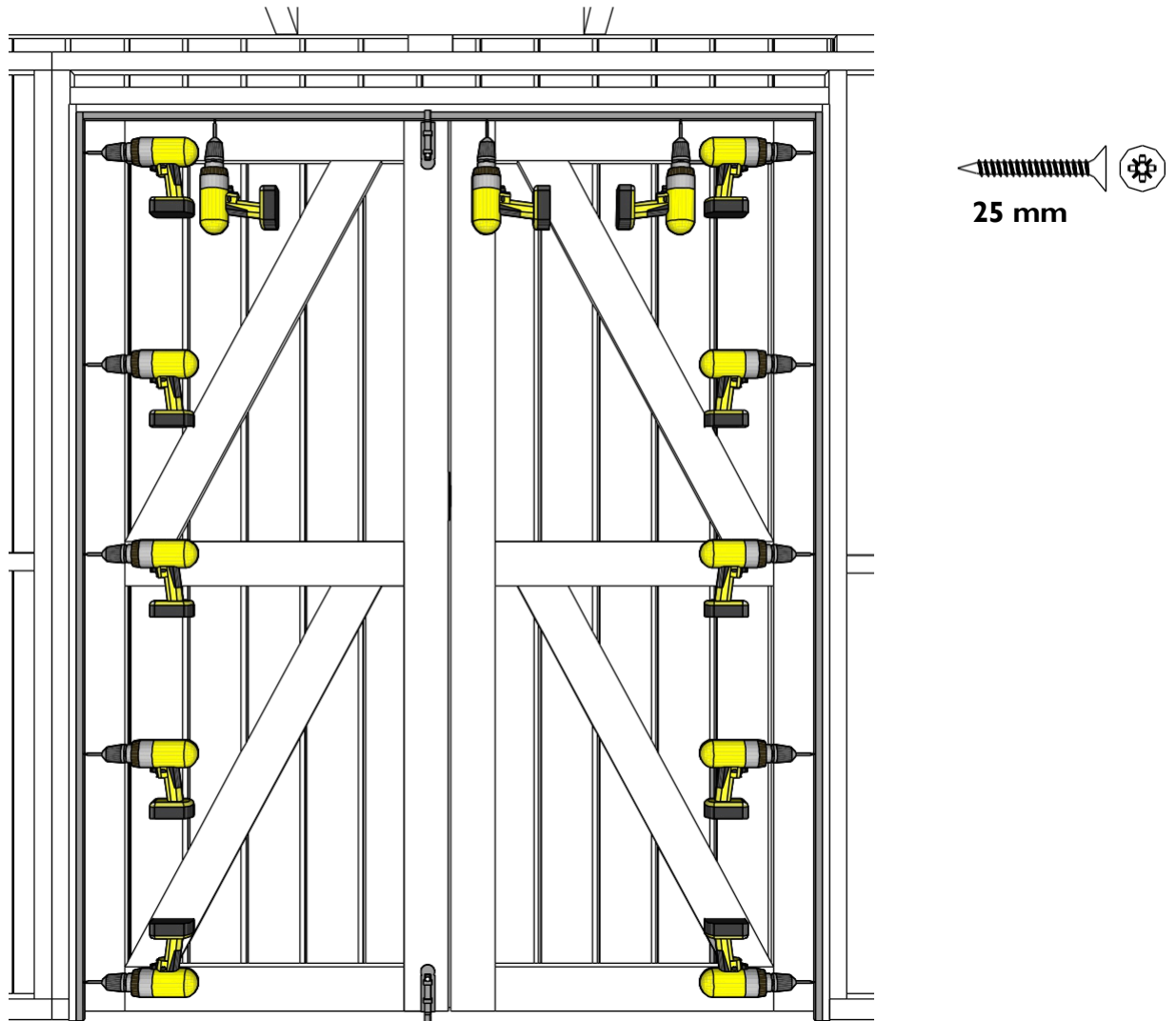


If you have also purchased an extension, glue the two sheets together using a thick, continuous line of glue.



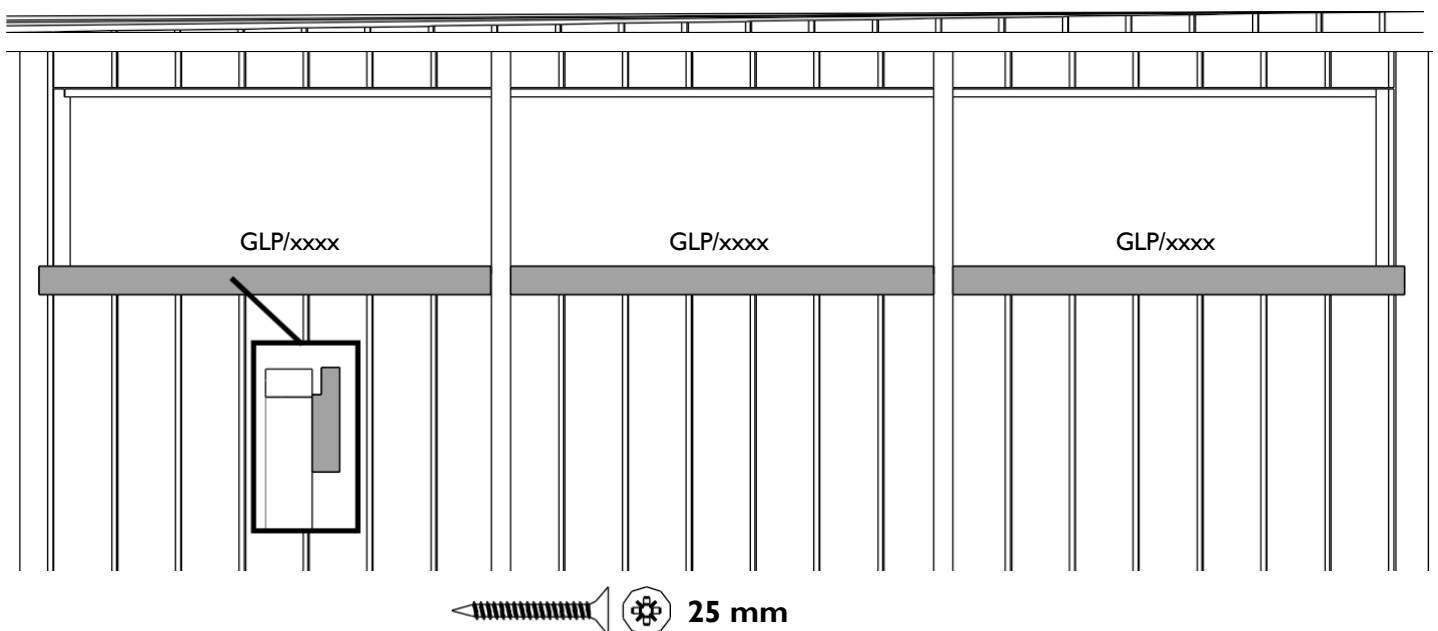
30. Door finishing

Install the lock, handle and bolts. Mount the strike plates on the inside of the frame against the doors.

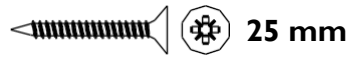
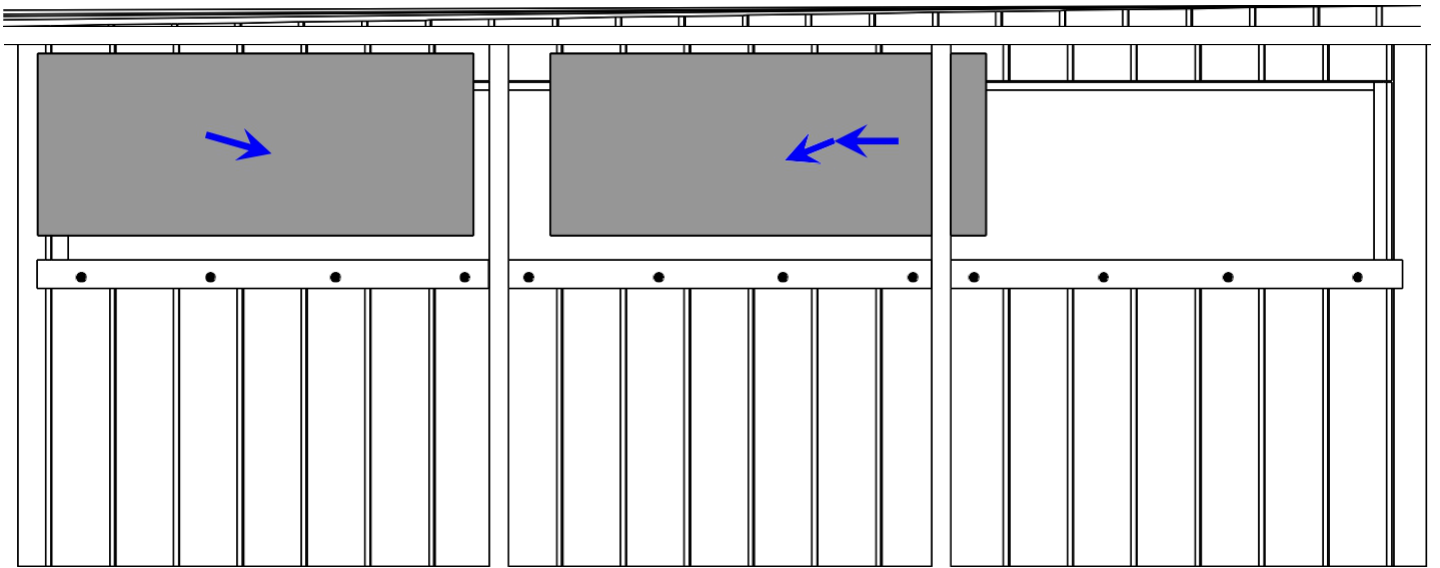


31. Window finishing

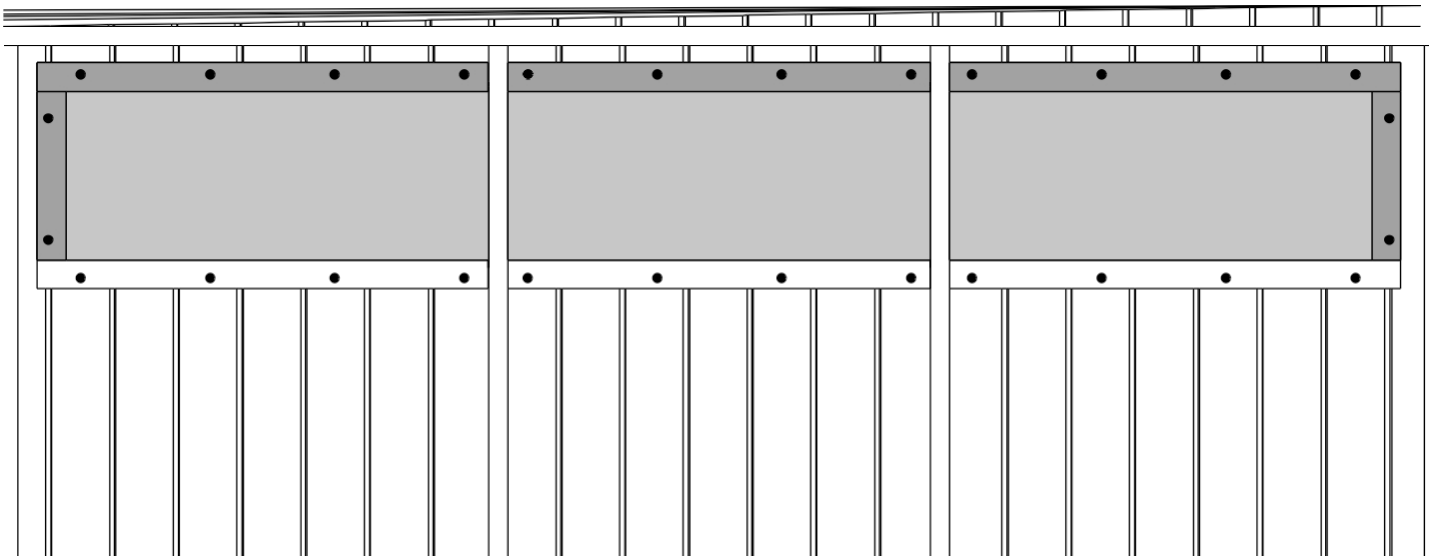
Mount the bottom window battens on the inside of the garden shed; refer to the diagrams in the parts list.



Slide the glass between the cladding and the frame; you may need to loosen the cladding slightly to make it easier to position the glass. The glass will sit half behind the frame.



Finally, install the remaining window battens and do not forget to reattach the cladding.

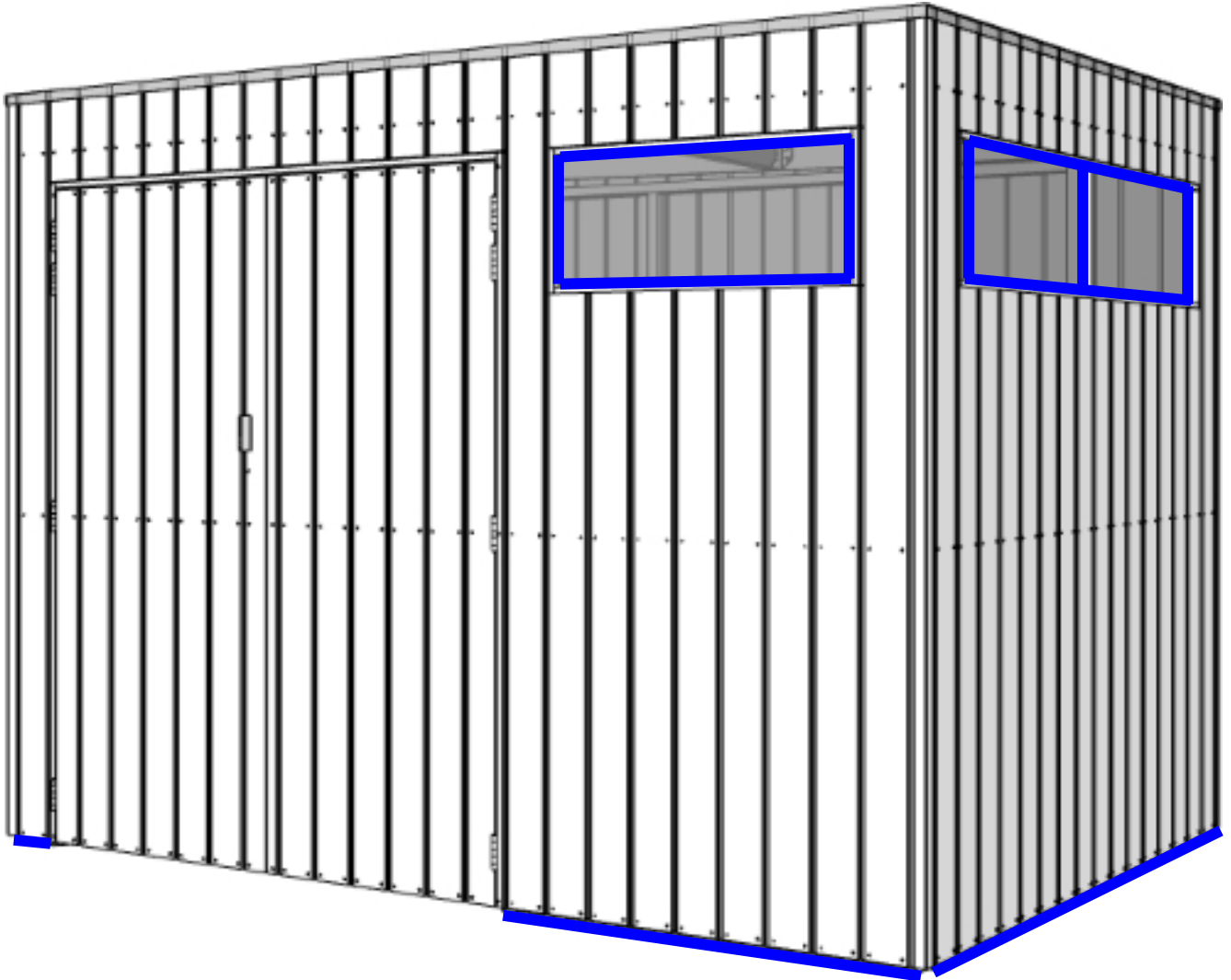


32. Apply silicone

(not supplied)

To ensure watertightness, apply silicone to the following areas:

- a. The joint between the garden shed and its base on the outside.
- b. Around the glass.



- Product liability applies only if the garden shed has been assembled in full compliance with these assembly instructions.
- The customer is responsible for ensuring that the shed is securely anchored to the ground (to protect against stormy weather).

WARRANTY

The product is made of wood, a natural product that, due to its outdoor placement, will continue to "live" and therefore requires ongoing attention. Assembly, treatment and anchoring will be carried out by or on behalf of the customer. Gardenas is therefore responsible for and provides a warranty on the product and its components themselves, but not for the consequences of incorrect assembly, missing or inadequate anchoring, or incorrect or inadequate maintenance.

How long?

Unless otherwise stated, Gardenas offers a 5-year warranty on its products. Fittings and roofing are covered by a 2-year warranty. Products sold as pressure-impregnated are covered by an extended 10-year warranty against rot, mould and insect damage to the wooden parts.

The warranty period starts from the date of purchase.

What is covered by the warranty?

- The structural design of the product for safe and normal use.
- The correctness of the parts in terms of quantity and shape upon delivery. Any deviations must be reported no later than 14 days after delivery.
- The warranty is limited to the replacement of defective, damaged or unusable parts.

What is not covered by the warranty?

- Costs of (re)installation, production, assembly, treatment.
- Parts that are no longer in their original condition.
- Defective parts that were installed anyway.
- Minor deviations from the natural material, whether or not specified in the manual, which do not compromise the stability and expected lifespan of the product (e.g. knots, cracks, discolouration, slight deformations that can be assembled and will have no impact after assembly or will be invisible after assembly, etc.).
- Damage, deformations or defects resulting from ignoring to strictly follow the advice and instructions in the product manual and/or incorrect or careless use of the product, as well as damage caused by poor foundations.
- Damage and degradation and their consequences due to inadequate treatment of the product.
- Damage caused during transport and storage, whether or not due to extreme humidity, if transport and storage were not carried out under Gardenas' management.
- Damage caused by third parties, animals, insects (except if the product was delivered pressure-impregnated) and termites.
- Natural ageing or discolouration of the product.
- Damage caused by a roof load (e.g. snow) of more than 50 kg/m².
- Direct or indirect damage to items and materials stored in or under the product.
- Consequences of force majeure: storms, natural disasters, floods, vandalism, etc.

Parts availability and delivery

Gardenas guarantees the availability of all parts or a valid alternative for each part for up to 5 years after purchase of the product, regardless of whether the part is still under warranty or not.

Gardenas will make every effort to provide any replacement parts as quickly as reasonably possible. Gardenas will deliver the parts in the same manner and to the same location as it delivered the original product.